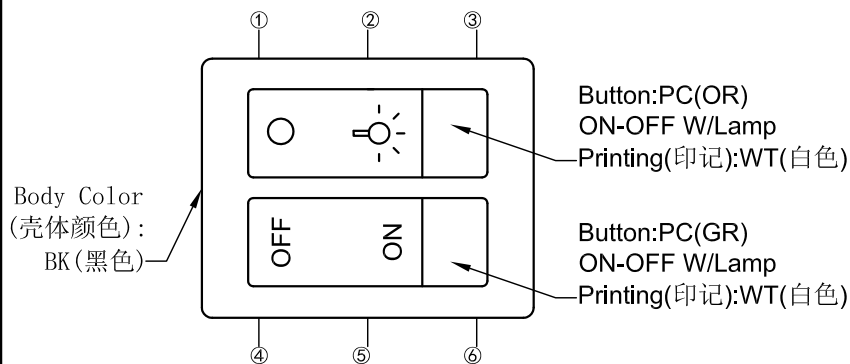
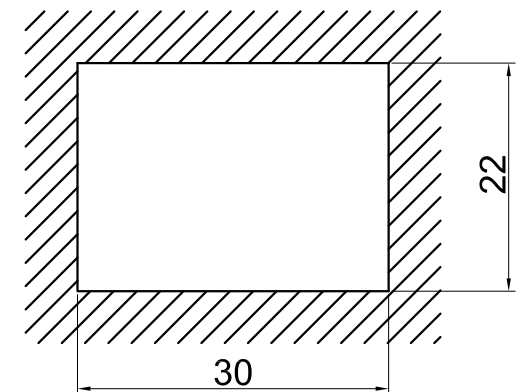


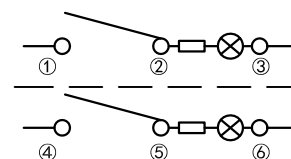
SPECIFICATION

- RATING: UL C-UL: 16A 125VAC/8A 250VAC
ENEC SEMKO:
16(4)A 250VAC T125/55 1E4
- CIRCUIT: ON-OFF W/Lamp 6P
- CONTACT RESISTANCE: 30m OHMS Max
- INSULATION RESISTANCE: DC500V 100M OHMS Min
- WITHSTAND VOLTAGE: AC 1500V 1 Minute
- ELECTRICAL LIFE: 10000 Cycles at Full Load
- OPERATION FORCE: 600~1000gf
- OPERATION TEMPERATURE RANGE: -25~+125° C

PANEL HOLE SIZE



CIRCUIT DIAGRAM:



MATERIALS

- HOUSING: Nylon #66 UL 94V-2
- ROCKER: PC UL 94HB
- TERMINAL: Copper Alloy Ag plated
- CONTACTOR: AgSnO₂In₂O₃ (10)/Cu

RLEIL® NINGBO YINZHOU LIHE ELECTRONIC CO., LTD						RL2-521/N-C-18/79-(OR-GR)/BK-P1	
TITLE						SERIES	
ROCKER SWITCH						RL2-5	
FUNCTION						ON-OFF W/Lamp	
VIEWS TYPE						DRAWING NUMBER	
设计	签名	年月日	标准化	签名	年月日		
绘图	符辉	16.12.06					
审核	张雪飞						
工艺			批准				