



# PRODUCT SPECIFICATION

**Model No.: FYL-3019SURUBW1A-CC**

Descriptions:
<ul style="list-style-type: none"> <li>■ Dice material: AlGaInP;InGaN.</li> <li>■ Emitting Color: Super Bright Red;Super Bright Blue.</li> <li>■ Device Outline: Φ3mm round type.</li> <li>■ Lens Type: White Diffused.</li> </ul>



CUSTOMER APPROVED SIGNATURES	APPROVED BY	SALES BY	PREPARED BY
			

**NINGBO FORYARD OPTOELECTRONICS CO.,LTD.**

**Add:**No. 666 Jinghua Road, Hi-tech Park, Ningbo, Zhejiang, China

**Zip:**315103

**Tel:** 0086-574-87933652 87922206 87927870

**Fax:** 0086-574-87927917

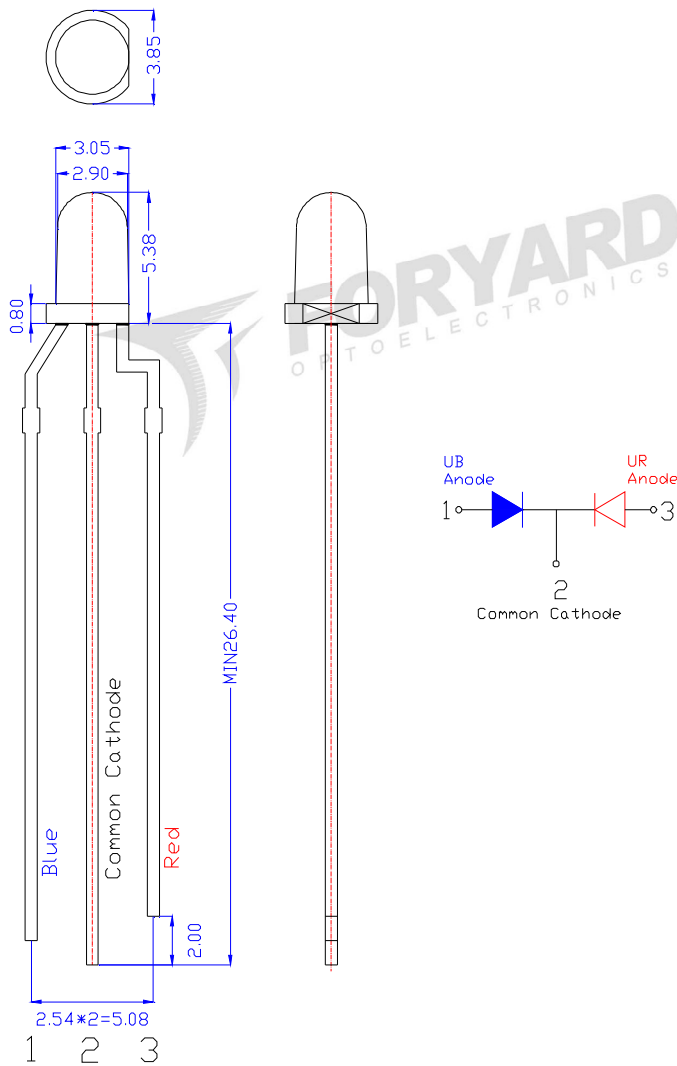
**E-mail:**Sales@foryard.com (General)

**Model No.: FYL-3019SURUBW1A-CC**

**Features**

- 1.Low power consumption.
- 2.High efficiency.
- 3.General purpose leads.
- 4.High intensity.
- 5.RoHs compliant.

**Package configuration**



**Notes:**

1. All dimensions are millimeters (inches)
2. Tolerance is  $\pm 0.25\text{mm} (.010")$  unless otherwise noted.
3. The specifications, characteristics and technical data described in the datasheet are subject to change without prior notice.
- 4.The drawing is different from the actual one, please refer to the sample.

**Model No.: FYL-3019SURUBW1A-CC**

**■ Absolute Maximun Ratings(Ta=25°C)**

Parameter	MAX.		Unit
	UR	UB	
Power Dissipation	75	120	mW
Peak Forward Current (1/10 Duty Cycle, 0.1ms Pulse Width)	150	100	mA
Continuous Forward Current	30	30	mA
Derating Linear From 50°C	0.4		mA/°C
Reverse Voltage	5		V
Operating Temperature Range	-40°C to +85°C		
Storage Temperature Range	-40°C to +100°C		
Lead Soldering Temperature[4mm(.157") From Body]	260°C for 5 Seconds		

**■ Typical Electrical & Optical Charcteristics(Ta=25°C)**

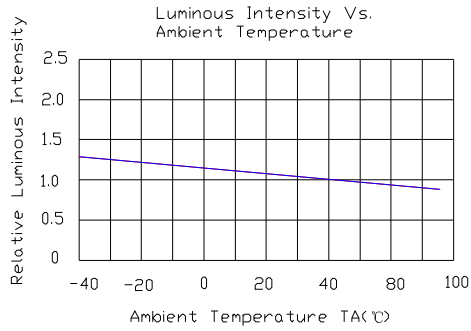
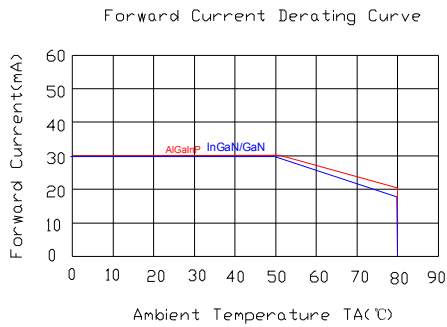
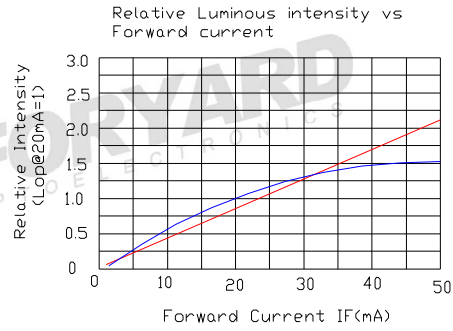
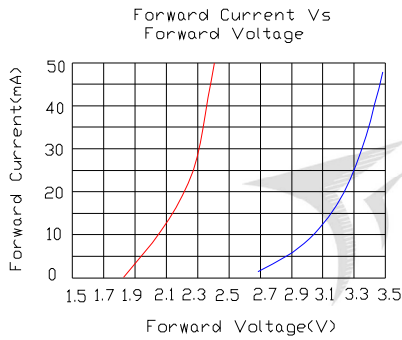
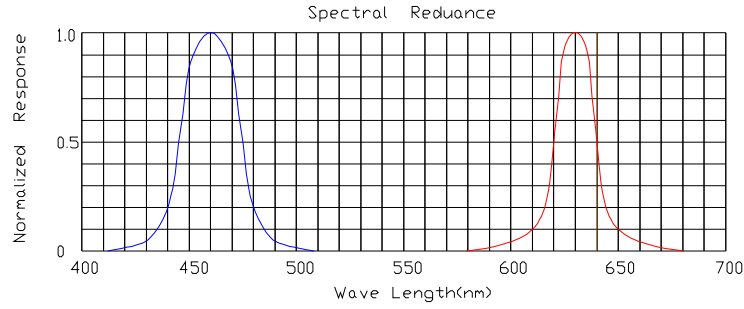
Parameter	Symbol	Colour	Min.	Typ.	Max.	Unit	Test Condition
Luminous Intensity	$I_V$	UR	---	1000	---	mcd	IF=20mA
		UB	--	1200	--		
Viewing Angle	$2\theta_{1/2}$	UR	---	30	---	Deg	
		UB	---	35	--		
Peak Emission Wavelength	$\lambda_p$	UR	---	630	--	nm	
		UB	---	470	--		
Dominant Wavelength	$\lambda_d$	UR	618	625	630	nm	
		UB	465	470	475		
Spectral Line Half-Width	$\Delta\lambda$	UR	---	20	--	nm	
		UB	---	30	--		
Forward Voltage	$V_F$	UR	1.8	2.1	2.4	V	
		UB	2.6	3.1	3.6		
Reverse Current	$I_R$		---	---	10	$\mu A$	VR=5V

Note:

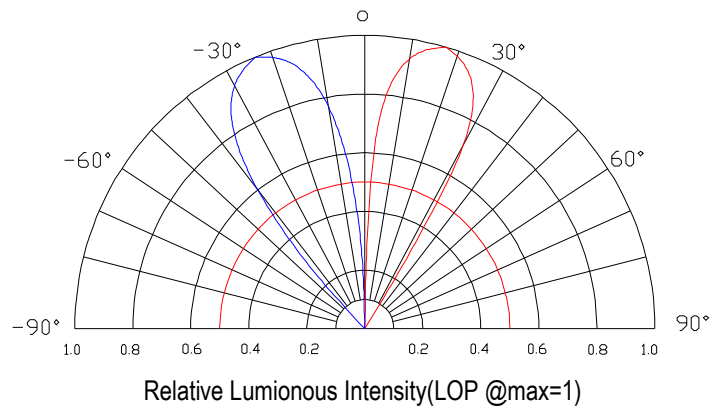
- 1.Luminous Intensity is based on the Foryard standards.
- 2.Pay attention about static for InGaN

**Model No.: FYL-3019SURUBW1A-CC**

**Typical Electrical/Optical Characteristics Curves(Ta=25°C Unless Otherwise Noted)**

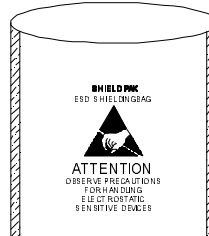
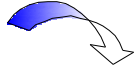


**Radiation pattern**

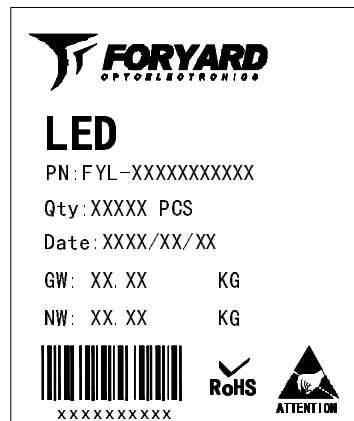
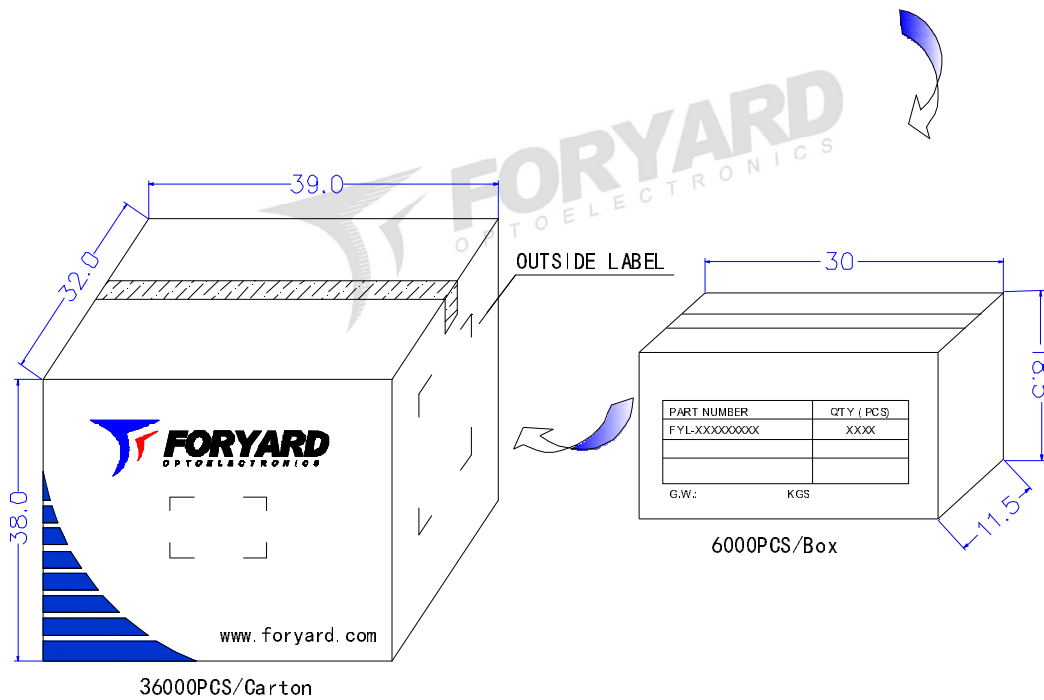


Model No.: FYL-3019SURUBW1A-CC

■ LAMP PACKING.



3mm 500PCS/Polybag



OUTSIDE LABEL

Note: The specifications are subject to change without notice. Please contact us for updated information.