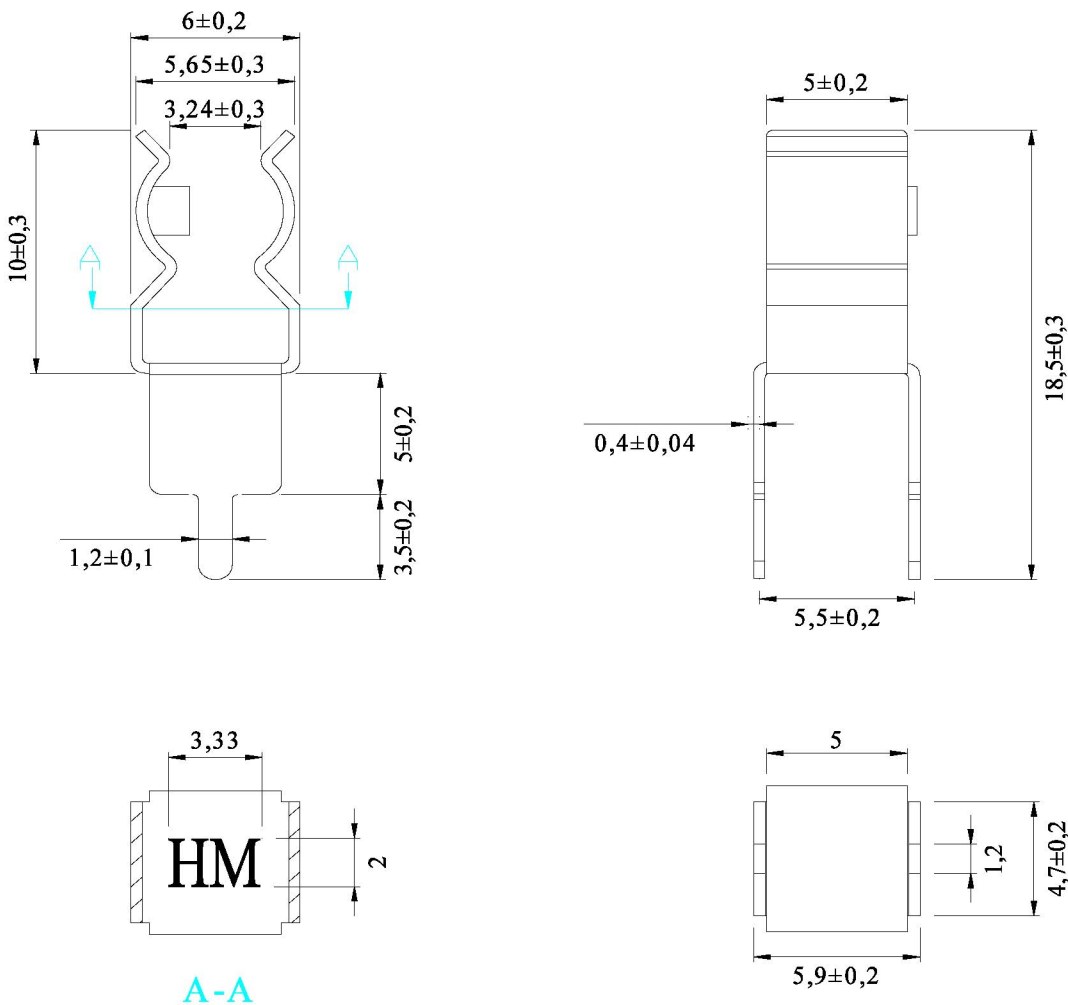


**Features**

The BC522 fuse clip is made of copper with nickel plated surface. This clip shape is suited for use with the 5 × 20 fuse links and specifications refer to model BC522-040.

- Material: copper, H62, hard
- Thickness: 0.4mm
- Pb- and Halogen-free, RoHS compliant
- Smooth Surface
- Soldering temperature: 260±5°C
- Nickel plated

Dimensions (unit in mm)



**Ordering Information**

Series	Part No.	Packaging Code	Qty
BC522			

