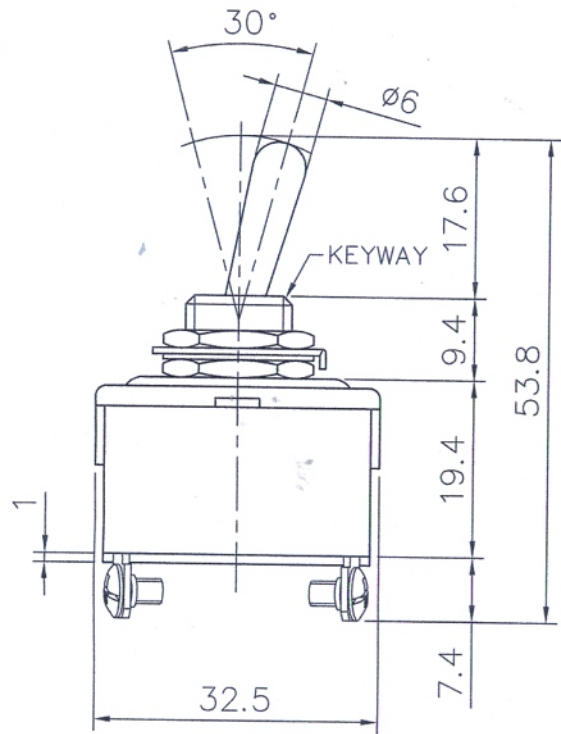
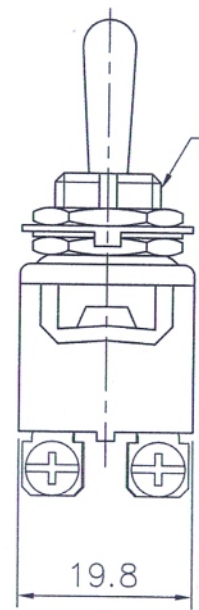


DIMENSIONS ARE IN MILLIMETERS

0.5-5+ ±0.2
 5-30+ ±0.4
 30-120+ ±0.6
 120-315+ ±1.0
 315-1000+ ±1.6
 1000-2000+ ±2.4

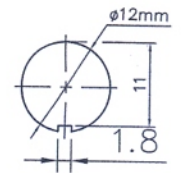
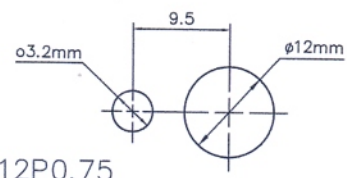


ON ← → OFF



With Fixed Washer
 使用固定華司

Without Fixed Washer
 無固定華司



Panel Thickness : 6.0mm Max.

1. Rating: AC 125V 15A 250V 10A
DPST 4P ON-OFF
2. Contact R.: 50mΩ Max.
3. Insulation R.: DC 500V 100MΩ Min.
4. Dielectric Strength: AC 1500V 1 minute.
5. Operating Temperature: -20°C ~ 65°C
6. Electrical Life: 50,000 make-and-break cycles at full load.

APPROVED BY :



UNITED AU-VI CO., LTD.

Description: 4P Toggle Switches DPST ON-OFF

Part No.: ST-1541/C



Date: JUN 08 2010

File No. T-1328