



ZIPPY TECHNOLOGY CORP.



10F, NO.50, MIN CHYUAN ROAD,  
SHIN-TIEN CITY, TAIPEI COUNTY,  
TAIWAN, R.O.C

TEL: 886-2-2918-8512 / 886-2-2918-0603  
FAX: 886-2-2915-5765 / 886-22916-0215  
[Http://www.zippy.com.tw](http://www.zippy.com.tw)

### APPROVED DATA SHEET

Model: 1000620774(SM-05S-05P0-Z)

ISSUED DATE: 2023.09.01  
APPROVED NO.: 1000620774.G  
PAGE: 1/4

The undersigned guarantee of the model switches is meets the following specifications.

#### 1.Operation Characteristics

Operating Force (OF)	:	Max.35 gf
Releasing Force (RF)	:	Min. 8 gf
Free Position ( FP )	:	Max.20.5 mm
Operating Position (OP)	:	17.5±0.8 mm
Movement Differential (MD)	:	Max.0.8 mm
Over-travel (OT)	:	Min.0.8 mm
Pre-travel (PT)	:	Max.3.8 mm

#### 2. Specifications

Initial Contact Resistance	:	Max. 30 mΩ . ( Measured by ohm meter –Open Voltage<1VDC, Driver current -100mA ) Before measure the switch contact resistance, please press the switch three times on and off.
Initial Dielectric Strength	:	1,000VAC(50-60HZ)/minute between contacts. 1,250VAC(50-60HZ)/minute Live-parts and dead metal parts.
Insulation Resistance	:	Min. 100 MΩ ( 500 VDC/ minute ) between Live-parts and dead metal parts.
Circuit Arrangement	:	SPDT ( Single pole double throw )
Rating	:	5A 125/250VAC
Service Life	:	Min. 10,000 operations.
Rating Load	:	Resistive Load.
Operating Frequency	:	10~30 operations per minute.
Safety Certificate	:	UL, cUL
Mechanical Service Life	:	Min. 5,000,000 operations.
Operating Frequency	:	Max. 120 operations per minute.

Operating application of the switch : Set the switch pushing distance from 60% to 90% of the specified OT value.



ZIPPY TECHNOLOGY CORP.



10F, NO.50, MIN CHYUAN ROAD,  
SHIN-TIEN CITY, TAIPEI COUNTY,  
TAIWAN, R.O.C

TEL: 886-2-2918-8512 / 886-2-2918-0603  
FAX: 886-2-2915-5765 / 886-22916-0215  
[Http://www.zippy.com.tw](http://www.zippy.com.tw)

### APPROVED DATA SHEET

Model: 1000620774(SM-05S-05P0-Z)

ISSUED DATE: 2023.09.01  
APPROVED NO.: 1000620774.G  
PAGE: 2/4

### 3. Environments

- Operating Temperature : -40°C ~ 120°C (With no icing)
- Vibration Resistance : 10~55Hz, displacement 0.75mm(p-p)
- Shock Resistance : Destruction: 1,000 m/s<sup>2</sup> {approx. 100G} max.  
Malfunction: 300 m/s<sup>2</sup> {approx. 30G} max.

( For the pin plunger models, the vibration & shock condition apply for use at the free position and total travel position )

( For the lever models, the vibration & shock condition apply for use at the total travel position )

- Soldering by hand : 350°C maximum within 5 seconds.
- Soldering bath : 260°C maximum within 5 seconds.

### 4. Caution:



or click the link→ [https://www.zippy.com/ecmodelcautions/micro\\_switch\\_cautions.pdf](https://www.zippy.com/ecmodelcautions/micro_switch_cautions.pdf)

ZIPPY TECHNOLOGY CORP.

簡素玲

PREPARED

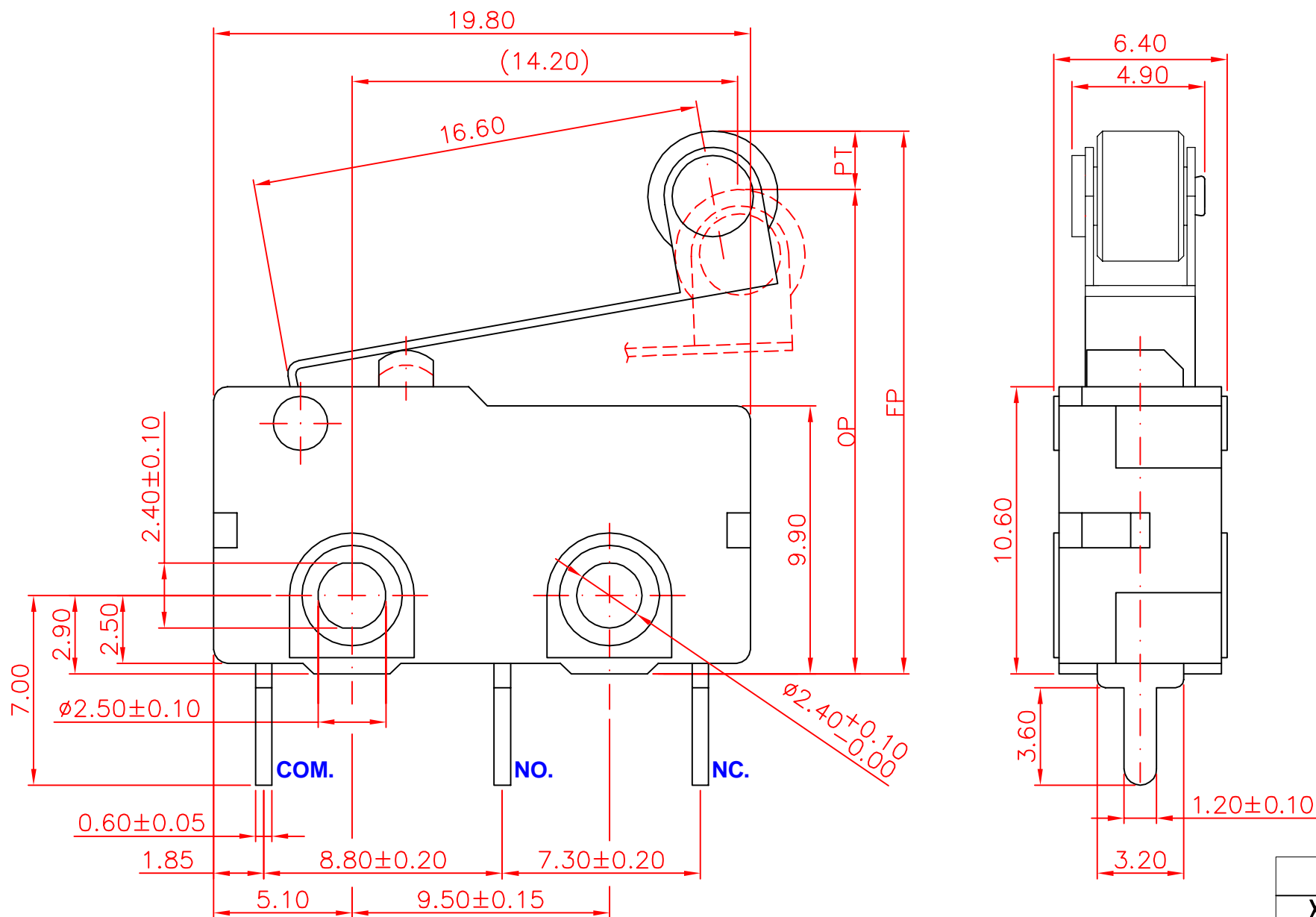
許志誠

CHECKED

沈俊榮

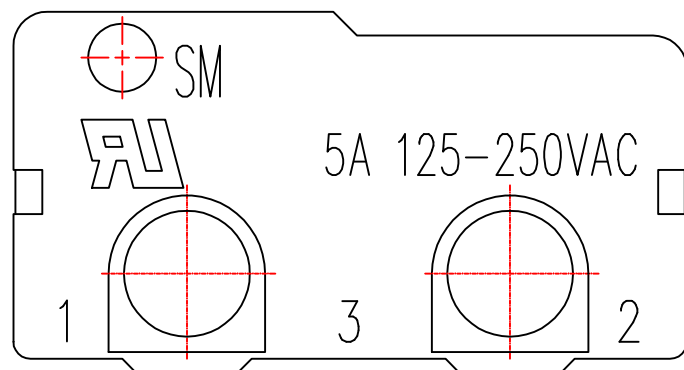
APPROVED

# Dimensions drawing

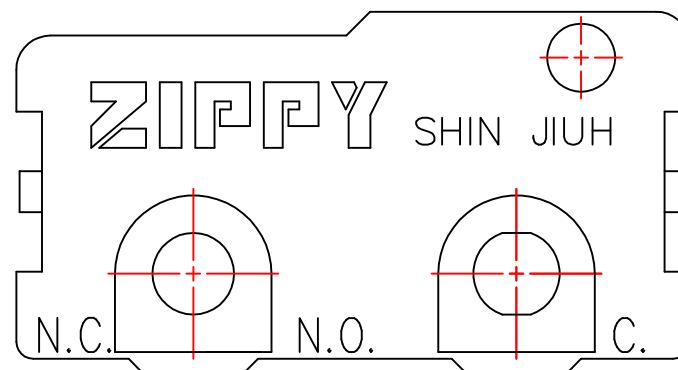


VIEW		SIZE	A4	UNIT	mm
DATE	DEC 29, 2011	VER	1.3	FILE NAME	SM-05P0
APPROVAL	李金龍	CONFIRM	張哲維	DESIGN	謝佩君

Marking drawing



COVER



CASE

This page shows switch marking only.  
 此頁僅顯示開關印字，外觀參照外觀圖  
 Marking can either be printed or molded  
 印字可為印刷或模刻

VIEW		SIZE	A4	UNIT	mm
DATE	2020.11.05	VER.	1.4	FILE NAME	SM-05
APPROVAL	沈俊榮	CONFIRM	張奕鉸	DESIGN	許志誠