



ZIPPY TECHNOLOGY CORP.



10F, NO.50, MIN CHYUAN ROAD,  
SHIN-TIEN CITY, TAIPEI COUNTY,  
TAIWAN, R.O.C

TEL: 886-2-2918-8512 / 886-2-2918-0603  
FAX: 886-2-2915-5765 / 886-22916-0215  
[Http://www.zippy.com.tw](http://www.zippy.com.tw)

### APPROVED DATA SHEET

-----  
**Model: 1000840460(VM-05S-03C0-Z)**  
=====

ISSUED DATE: 2023.07.21  
APPROVED NO.: 1000840460.F  
PAGE: 1/4

The undersigned guarantee of the model switches is meets the following specifications.

#### 1.Operation Characteristics

Operating Force (OF) : Max. 60 gf  
Releasing Force (RF) : Min. 14 gf  
Operating Position (OP) : 15.3±2.5 mm  
Movement Differential (MD) : Max. 2.2 mm  
Over-travel (OT) : Min. 3.0 mm  
Pre-travel (PT) : Max. 7.6 mm

#### 2. Specifications

Contact Resistance : Max. 30 mΩ .  
( Measured by ohm meter –Open Voltage<1VDC, Driver current -100mA )  
Before measure the switch contact resistance, please press the switch three times on and off.  
Initial Dielectric Strength : 1,000VAC(50-60HZ)/minute between contacts.  
1,500VAC(50-60HZ)/minute between Live-parts and dead metal parts.  
Insulation Resistance : Min. 100 MΩ ( 500 VDC/ minute ) between Live-parts and dead metal parts.  
Circuit Arrangement : SPDT ( Single pole double throw )  
Rating : 5A 125/250VAC  
Service Life : Min. 10,000 operations.  
Rating Load : Resistive Load.  
Operating Frequency : 10~30 operations per minute.  
Safety Certificate : UL, cUL

Mechanical Service Life : Min. 10,000,000 operations.  
Operating Frequency : Max. 120 operations per minute.

Operating application of the switch : Set the switch pushing distance from 60% to 90% of the specified OT value.



ZIPPY TECHNOLOGY CORP.



10F, NO.50, MIN CHYUAN ROAD,  
SHIN-TIEN CITY, TAIPEI COUNTY,  
TAIWAN, R.O.C

TEL: 886-2-2918-8512 / 886-2-2918-0603  
FAX: 886-2-2915-5765 / 886-22916-0215  
[Http://www.zippy.com.tw](http://www.zippy.com.tw)

### APPROVED DATA SHEET

-----  
**Model: 1000840460(VM-05S-03C0-Z)**  
=====

ISSUED DATE: 2023.07.21  
APPROVED NO.: 1000840460.F  
PAGE: 2/4

### 3. Environments

Operating Temperature : -40°C~85°C ( with no icing )  
Vibration Resistance : 10~55Hz, displacement 0.75mm(p-p)  
Shock Resistance : Destruction: 1,000 m/s<sup>2</sup> {approx. 100G} max.  
Malfunction: 300 m/s<sup>2</sup> {approx. 30G} max.

( For the pin plunger models, the vibration & shock condition apply for use at the free position and total travel position )  
( For the lever models, the vibration & shock condition apply for use at the total travel position )

Soldering by hand : 350°C maximum within 5 seconds.

### 4. Caution:



or click the link→ [https://www.zippy.com/ecmodelcautions/micro\\_switch\\_cautions.pdf](https://www.zippy.com/ecmodelcautions/micro_switch_cautions.pdf)

ZIPPY TECHNOLOGY CORP.

簡素玲

-----  
PREPARED

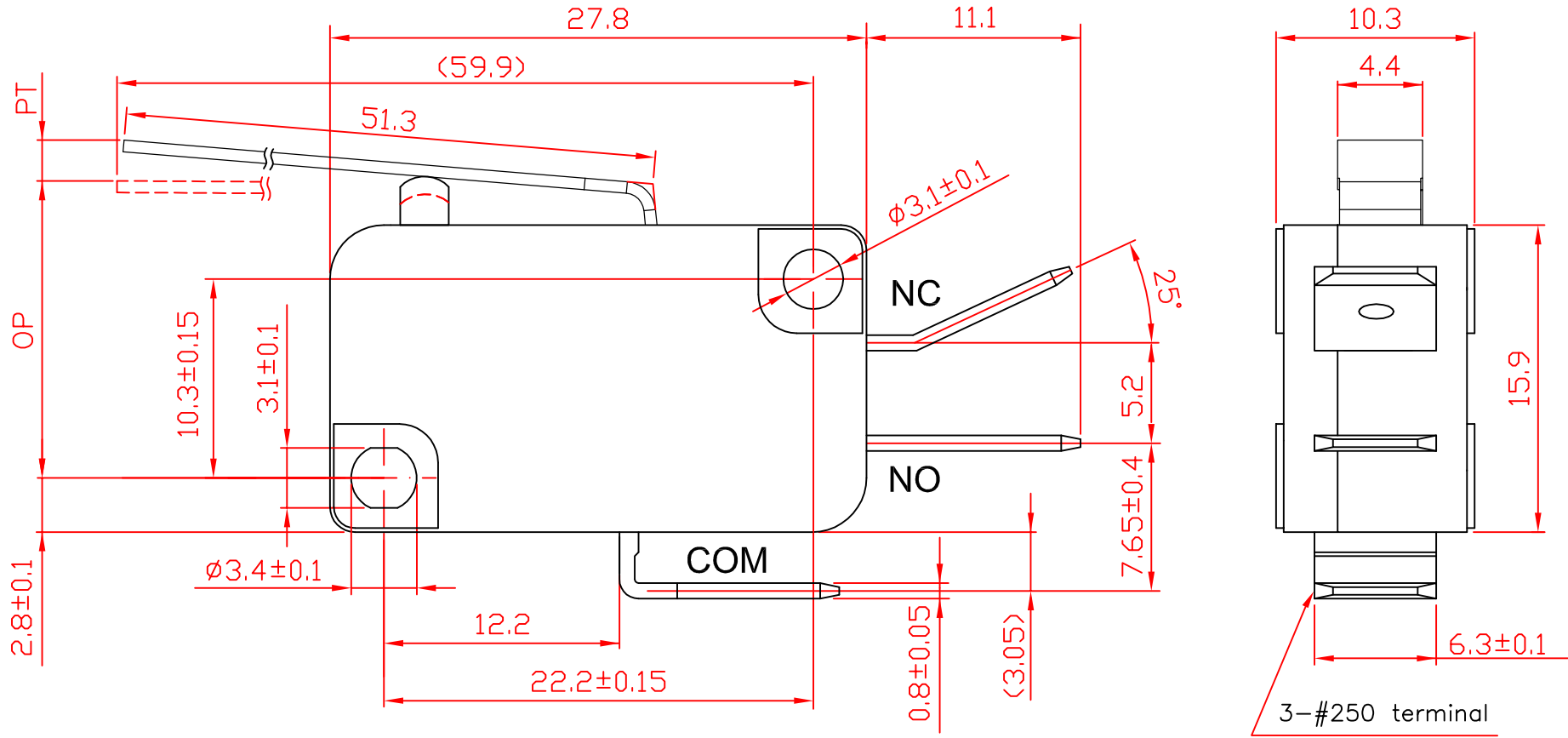
簡永鎮

-----  
CHECKED

沈俊榮

-----  
APPROVED

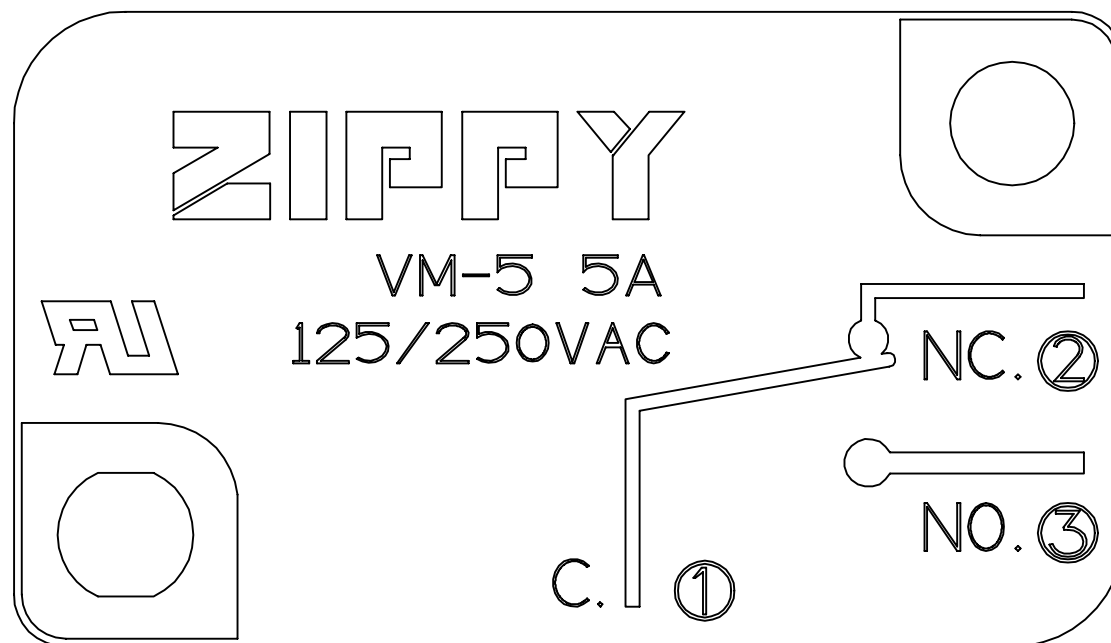
# Dimensions drawing



Tolerance	
X. X	±0.2
XX. X	±0.4

VIEW		SIZE	A4	UNIT	mm
DATE	AUG.07.2013	VER.	1.3	FILE NAME	VM-03CO-R
APPROVAL	李金龍	CONFIRM	倪有庭	DESIGN	林格祥

VM-05



COVER

This page shows switch marking only.

此頁僅顯示開關印字，外觀參照外觀圖

Marking can either be printed or molded

印字可為印刷或模刻

VIEW		SIZE	A4	UNIT	mm
DATE	2020.11.11	VER.	1.4	FILE NAME	VM-05
APPROVAL	沈俊榮	CONFIRM	張奕鉸	DESIGN	張立人