



ZIPPY TECHNOLOGY CORP.



10F, NO.50, MIN CHYUAN ROAD,
SHIN-TIEN CITY, TAIPEI COUNTY,
TAIWAN, R.O.C

TEL: 886-2-2918-8512 / 886-2-2918-0603
FAX: 886-2-2915-5765 / 886-22916-0215
[Http://www.zippy.com.tw](http://www.zippy.com.tw)

APPROVED DATA SHEET

Model: 1000840462(VM-05S-05C0-Z)
=====

ISSUED DATE: 2023.07.21
APPROVED NO.: 1000840462.F
PAGE: 1/4

The undersigned guarantee of the model switches is meets the following specifications.

1.Operation Characteristics

Operating Force (OF) : Max. 200 gf
Releasing Force (RF) : Max. 75 gf
Operating Position (OP) : 20.7±0.8 mm
Movement Differential (MD) : Max. 0.5 mm
Over-travel (OT) : Min. 0.6 mm
Pre-travel (PT) : Max. 1.5 mm

2. Specifications

Contact Resistance : Max. 30 mΩ .
(Measured by ohm meter –Open Voltage<1VDC, Driver current -100mA)
Before measure the switch contact resistance, please press the switch three times on and off.
Initial Dielectric Strength : 1,000VAC(50-60HZ)/minute between contacts.
1,500VAC(50-60HZ)/minute between Live-parts and dead metal parts.
Insulation Resistance : Min. 100 MΩ (500 VDC/ minute) between Live-parts and dead metal parts.
Circuit Arrangement : SPDT (Single pole double throw)
Rating : 5A 125/250VAC
Service Life : Min. 10,000 operations.
Rating Load : Resistive Load.
Operating Frequency : 10~30 operations per minute.
Safety Certificate : UL, cUL

Mechanical Service Life : Min. 10,000,000 operations.
Operating Frequency : Max. 120 operations per minute.

Operating application of the switch : Set the switch pushing distance from 60% to 90% of the specified OT value.



ZIPPY TECHNOLOGY CORP.



10F, NO.50, MIN CHYUAN ROAD,
SHIN-TIEN CITY, TAIPEI COUNTY,
TAIWAN, R.O.C

TEL: 886-2-2918-8512 / 886-2-2918-0603
FAX: 886-2-2915-5765 / 886-22916-0215
[Http://www.zippy.com.tw](http://www.zippy.com.tw)

APPROVED DATA SHEET

Model: 1000840462(VM-05S-05C0-Z)
=====

ISSUED DATE: 2023.07.21
APPROVED NO.: 1000840462.F
PAGE: 2/4

3. Environments

Operating Temperature : -40°C~85°C (with no icing)
Vibration Resistance : 10~55Hz, displacement 0.75mm(p-p)
Shock Resistance : Destruction: 1,000 m/s² {approx. 100G} max.
Malfunction: 300 m/s² {approx. 30G} max.

(For the pin plunger models, the vibration & shock condition apply for use at the free position and total travel position)
(For the lever models, the vibration & shock condition apply for use at the total travel position)

Soldering by hand : 350°C maximum within 5 seconds.

4. Caution:



or click the link→ https://www.zippy.com/ecmodelcautions/micro_switch_cautions.pdf

ZIPPY TECHNOLOGY CORP.

簡素玲

PREPARED

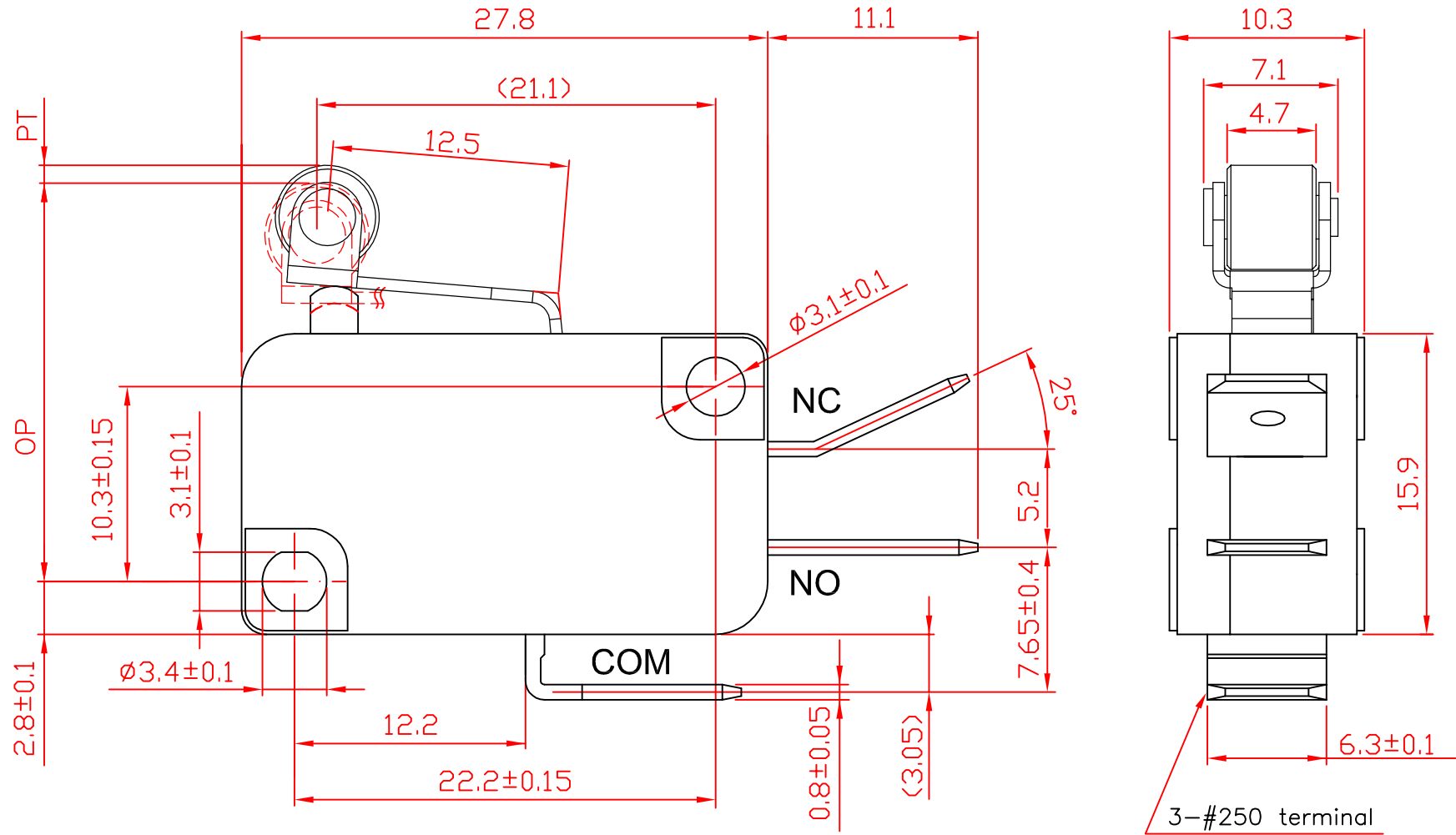
簡永鎮

CHECKED

沈俊榮

APPROVED

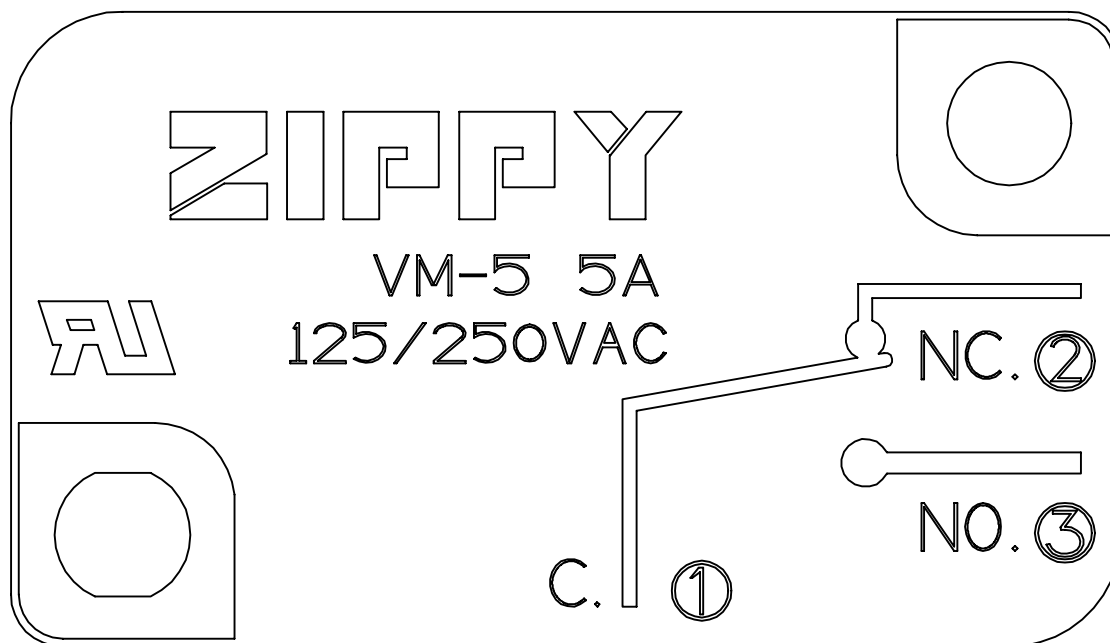
Dimensions drawing



Tolerance	
X. X	±0.2
XX. X	±0.4

VIEW		SIZE	A4	UNIT	mm
DATE	AUG.07.2013	VER.	1.2	FILE NAME	VM-05C0-R
APPROVAL	李金龍	CONFIRM	倪有庭	DESIGN	林格祥

VM-05



COVER

This page shows switch marking only.

此頁僅顯示開關印字，外觀參照外觀圖

Marking can either be printed or molded

印字可為印刷或模刻

VIEW		SIZE	A4	UNIT	mm
DATE	2020.11.11	VER.	1.4	FILE NAME	VM-05
APPROVAL	沈俊榮	CONFIRM	張奕鉸	DESIGN	張立人