



ZIPPY TECHNOLOGY CORP.



10F, NO.50, MIN CHYUAN ROAD,
SHIN-TIEN CITY, TAIPEI COUNTY,
TAIWAN, R.O.C

TEL: 886-2-2918-8512 / 886-2-2918-0603
FAX: 886-2-2915-5765 / 886-22916-0215
[Http://www.zippy.com.tw](http://www.zippy.com.tw)

APPROVED DATA SHEET

Model: 1000080048(CNR-05S-03-Z)

ISSUED DATE: 2023.06.30

APPROVED NO.: 1000080048.G

PAGE: 1/4

The undersigned guarantee of the model switches is meets the following specifications.

1.Operation Characteristics

- Operating Force (OF) : Max 7.6 gf
- Releasing Force (RF) : Min. 0.9 gf
- Operating Position (OP) : 18°±3°
- Releasing Position (RP) : 9°± 4°

2. Specifications

- Initial Dielectric Strength : 1,000VAC(50-60HZ) /minute between contacts.
1,500VAC (50-60HZ) /minute between Live-parts and dead metal parts.
- Insulation Resistance : Min. 100 MΩ (500 VDC/ minute) between Live-parts and dead metal parts.
- Circuit Arrangement : SPDT (Single pole double throw)
- Rating : 1A 125/250VAC; 5A 125/250VAC
- Service Life : Min. 6,000 operations
- Rating Load : Resistive Load
- Operating Frequency : 10~30 operations per minute
- Safety Certificate : UL, cUL
- Mechanical Service Life : Min. 10,000,000 operations.
- Operating Frequency : Max. 120 operations per minute



ZIPPY TECHNOLOGY CORP.



10F, NO.50, MIN CHYUAN ROAD,
SHIN-TIEN CITY, TAIPEI COUNTY,
TAIWAN, R.O.C

TEL: 886-2-2918-8512 / 886-2-2918-0603
FAX: 886-2-2915-5765 / 886-22916-0215
[Http://www.zippy.com.tw](http://www.zippy.com.tw)

APPROVED DATA SHEET

Model: 1000080048(CNR-05S-03-Z)

ISSUED DATE: 2023.06.30
APPROVED NO.: 1000080048.G
PAGE: 2/4

3. Environments

- Operating Temperature : -40°C ~ 65°C(with no icing)
- Vibration Resistance : 10~55Hz, displacement 0.75mm(p-p)
- Shock Resistance : Destruction: 1,000 m/s² {approx. 100G} max.
Malfunction: 300 m/s² {approx. 30G} max.

(For the pin plunger models, the vibration & shock condition apply for use at the free position and total travel position)

(For the lever models, the vibration & shock condition apply for use at the total travel position)

Soldering by hand : 350 °C maximum within 5 seconds

4. Caution:



or click the link→ https://www.zippy.com/ecmodelcautions/micro_switch_cautions.pdf

ZIPPY TECHNOLOGY CORP.

簡素玲

PREPARED

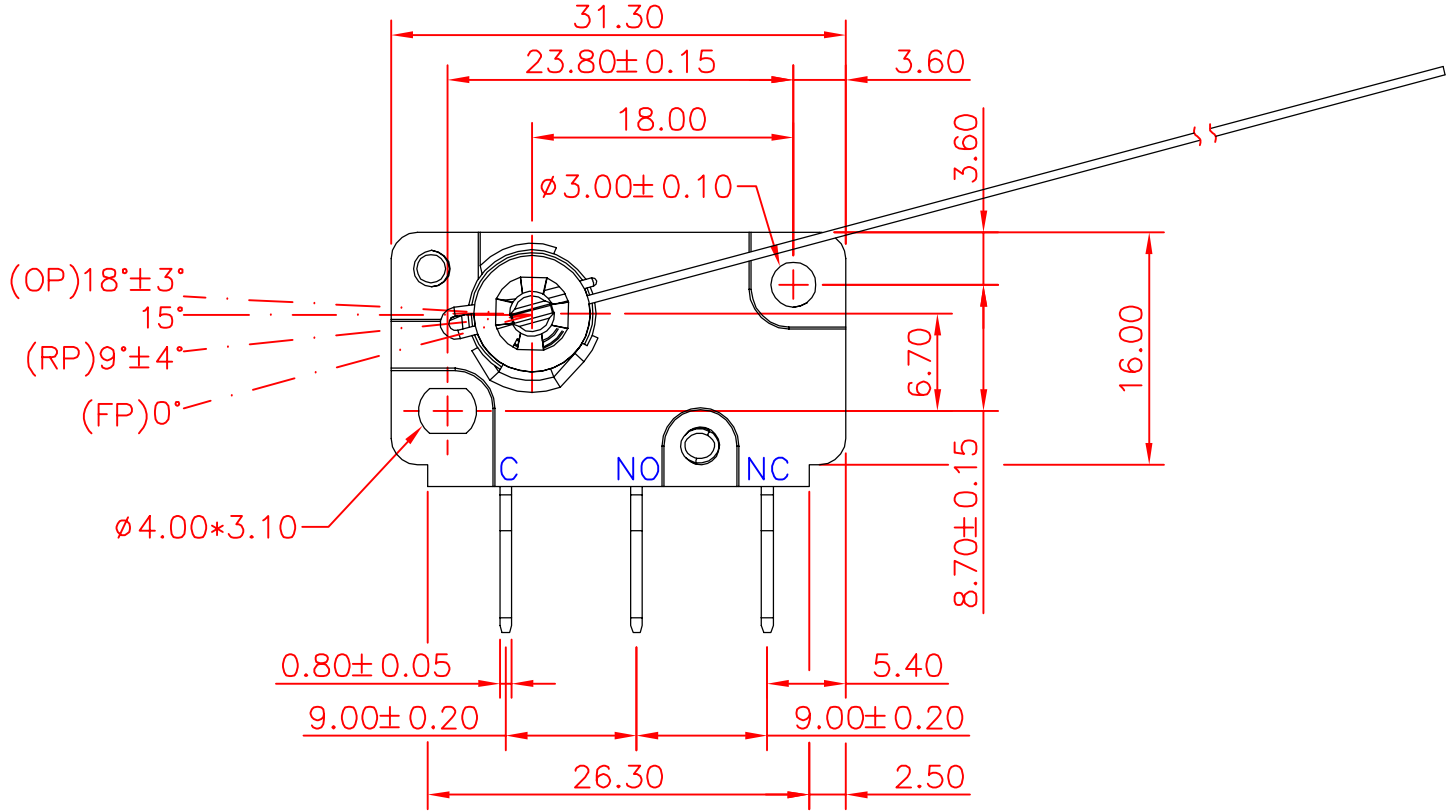
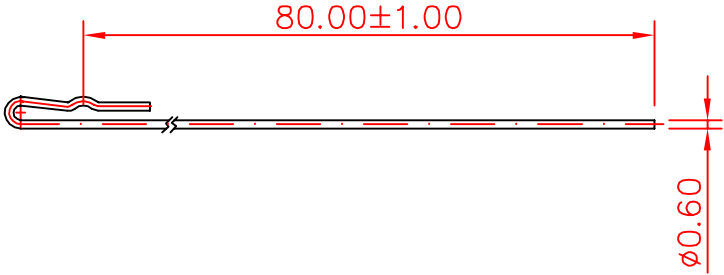
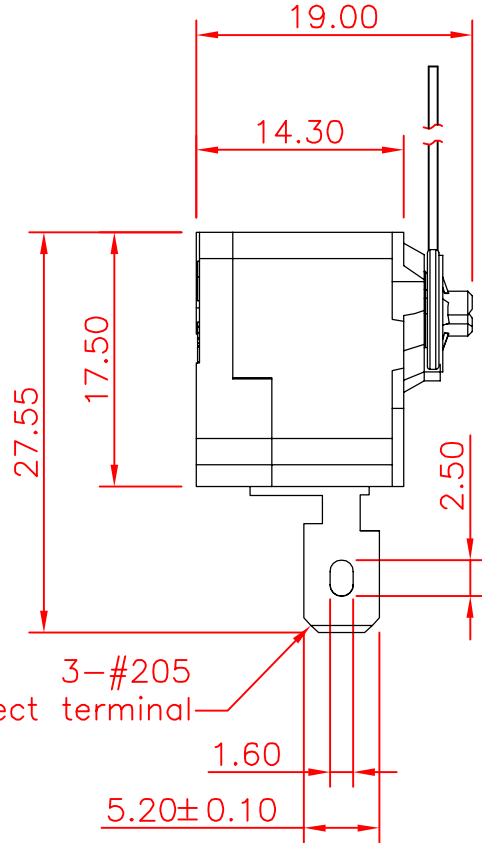
許志誠

CHECKED

沈俊榮

APPROVED

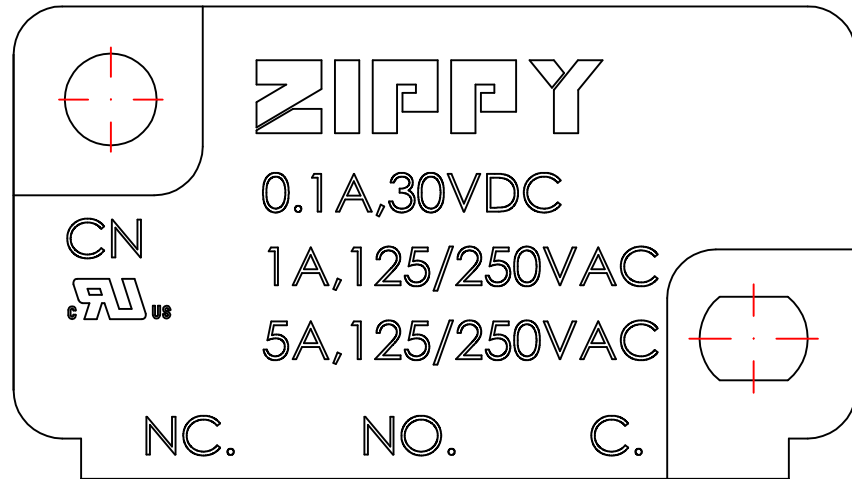
Dimensions drawing



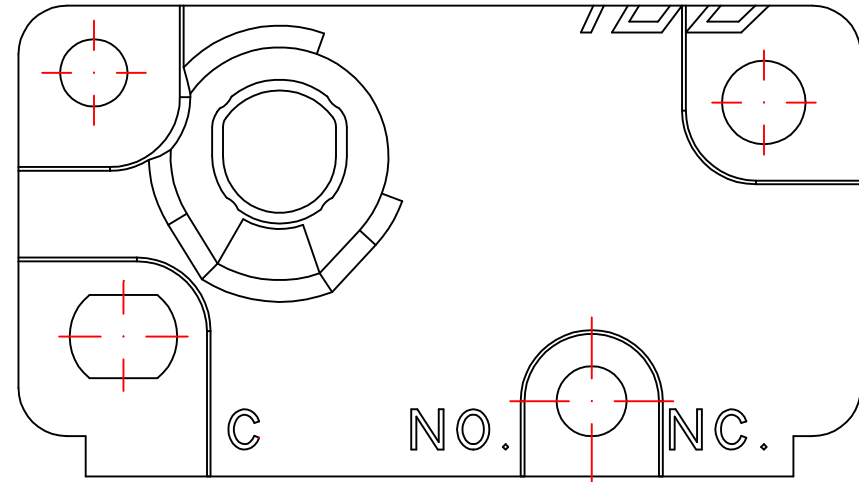
Tolerance	
X.X	±0.2
XX.X	±0.4

VIEW		SIZE	A4	UNIT	mm
DATE	Nov.22.2011	VER.	1.3	FILE NAME	CNR-03
APPROVAL	李金龍	CONFIRM	張哲維	DESIGN	方鼎杰

Marking drawing



COVER



CASE

This page shows switch marking only.

此頁僅顯示開關印字，外觀參照外觀圖

Marking can either be printed or molded

印字可為印刷或模刻

VIEW		SIZE	A4	UNIT	mm
DATE	2020.11.05	VER.	1.6	FILE NAME	CNR
APPROVAL	沈俊榮	CONFIRM	張奕鉸	DESIGN	許志誠