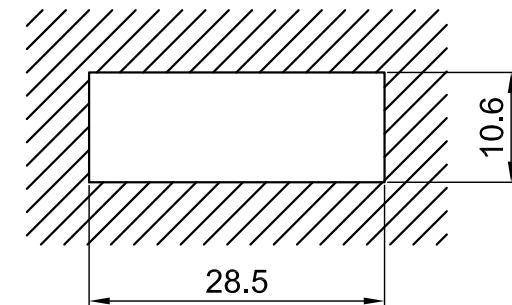


## SPECIFICATION

- RATING: 15A 125VAC/7.5A 250VAC UL C-UL  
16(4)A 250VAC T125/55 1E4  
ENEC SEMKO
- CIRCUIT: ON-OFF W/Lamp SPST 3P
- CONTACT RESISTANCE: 30m OHMS Max
- INSULATION RESISTANCE: DC500V 100M OHMS Min
- WITHSTAND VOLTAGE: AC 1500V 1 Minute
- ELECTRICAL LIFE: 10000 Cycles at Full Load
- OPERATION FORCE: 300~600gf
- OPERATION TEMPERATURE RANGE:  $-25 \sim 125^{\circ} \text{C}$

## PANEL HOLE SIZE



## MATERIALS

- HOUSING: Nylon #66 UL 94V-2
- ROCKER: PC UL 94HB
- TERMINAL: Copper Alloy Sn or Ag plated
- CONTACTOR:  $\text{AgSnO}_2\text{In}_2\text{O}_3 (10) / \text{Cu}$

RLEIL® NINGBO YINXIAN LIHE SWITCH FACTORY						RL1-111/N-C-2-RE/BK-P2	
						TITLE	SERIES
设计	签名	年月日	标准化	签名	年月日	ROCKER SWITCH	RL1-1
绘图	符辉	12.09.23					FUNCTION ON-OFF W/Lamp
审核	张雪飞					VIEWS TYPE	DRAWING NUMBER
工艺			批准				