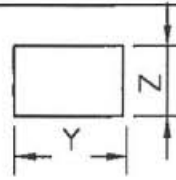
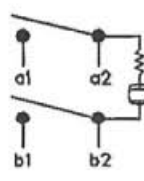
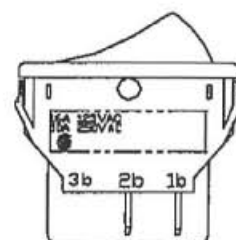
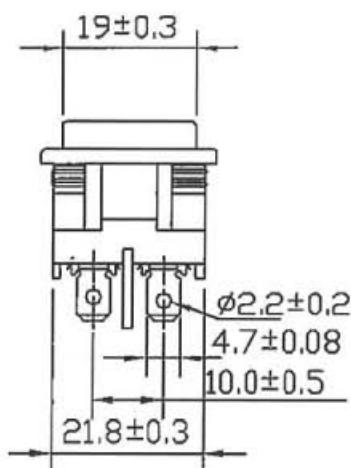
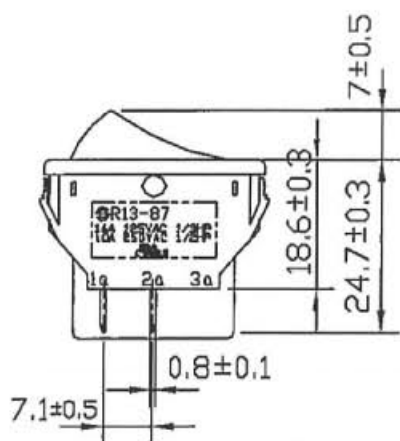
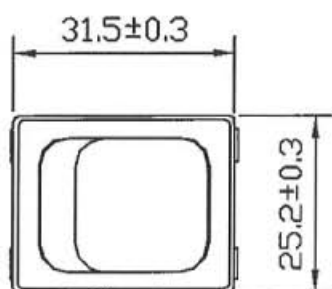


Rating	16A 125V AC 1/3HP 10A 250V AC 1/2HP	Mounting Hole	Circuit Diagram	
Contact R	50M ohm Max.			
Insulation R	DC 500V 100M ohm Min.			
Dielectric strength	AC 1500V 1 minute			
Circuit	4P DPST ON-OFF (Illuminated)			
Operating Temperature	-20°C~70°C	Panel Thickness x		
		X	Y	Z
		0.75~1.25	30.2~0.1	22.2+0.1
		1.25~2.0	30.4~0.1	22.2+0.1
		2.0~3.0	30.8~0.1	22.2+0.1



C1\PDM\R13-87B-02-BRNN-0(1820736)外■

					△
					△
					NO
Date	Name	Descriptions			
Drawing	Check	Approval	1820736	Model Name	ROCKER SWITCH
08/26/'06	09/01/'06	09/01/'06	Unit	mm	
張玲利	李元生	李景煌	Customer No.	Model No.	R13-87B-02-BRNN-0