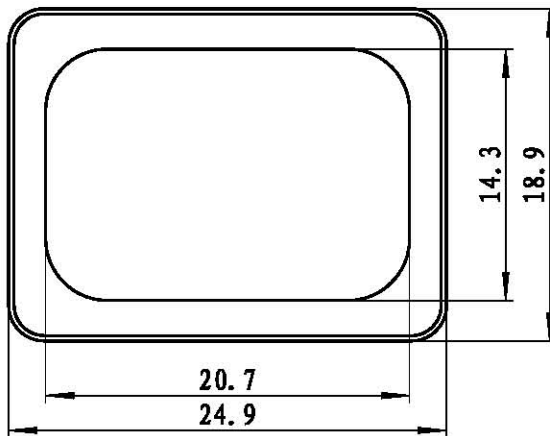
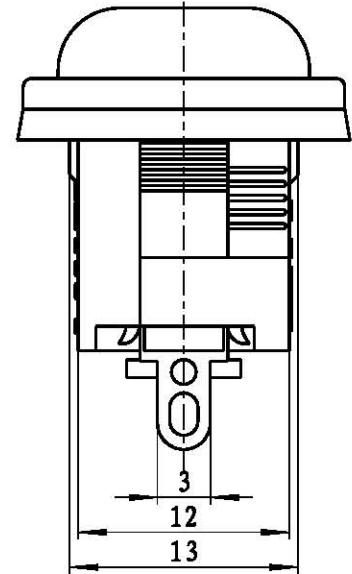
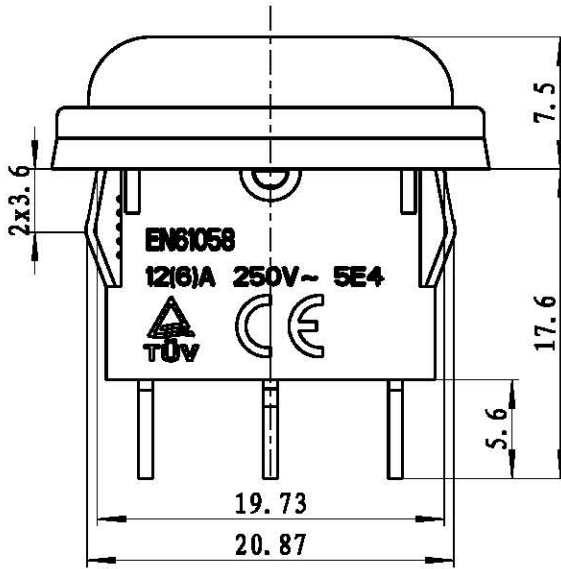


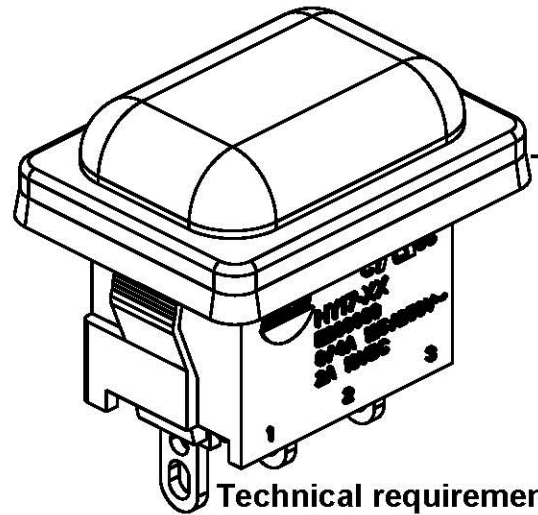
110010/111

Rejigger Index

REV.	mark	Qty	Verified Content Description	Verified /Date	Rejigger /Date



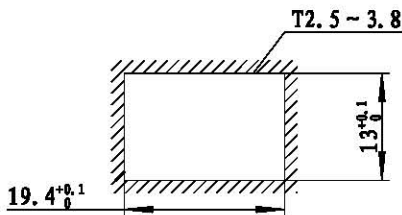
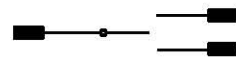
Mounting size



Technical requirement

- 1.Type:HY17-XX;
- 2.Rating:
UL1054 E200089
8/4A 125/250V~
2A 18VDC
T65
EN61058 12(16)A 250V~
- 3.Operating cycles: 5E4;

Circuit Diagram



Tolerance Not Marked

Basic Dimension	>0 ~ 6	>6 ~ 30	>30 ~ 120	>120 ~ 300
Tolerance	± 0.1	± 0.3	± 0.5	± 1

ASSEMBLE OUTLINE

KEDU ELECTRIC

111701001
PUSH BUTTON SWITCH

1117010011

Designed by	孙文豪	20081025	Standard	王思琦	20081027
Collated by	廖军	20081025	Examined by		
Checked by	王思琦	20081027	Drawed by	孙文豪	20081025
Technics			Approved by	李子平	20081027

Phase Mark	REV.	Scale
S	B	2.5:1
Current Page	Total Page	

Common use register

Drawing

Collation

Old Bottom drawing No.

Bottom drawing No.

Signature

Date