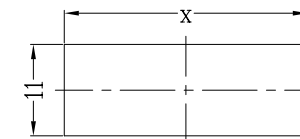


1. FUNCTION: OFF-ON
2. RATING: UL: 20(8)A 125/250VAC 25T125/55 5E4  
CQC/KC: 16(4)A 250VAC T105  
ENEC VDE: 16(4)A 250VAC T105/55
3. OPERATION FORCE: 650±350g.f
4. CONTACT RESISTANCE: ≤ 50 mΩ
5. INSULATION RESISTANCE: ≥ 100 MΩ
6. DIELECTRIC WITHSTAND:

8. SUGGESTED PANEL HOLE SIZE:

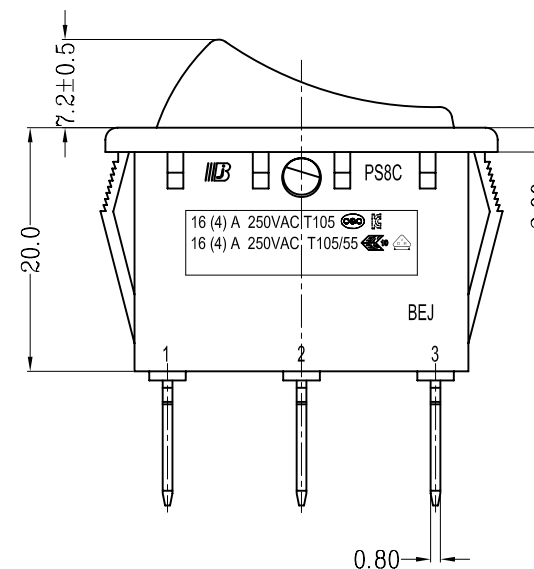
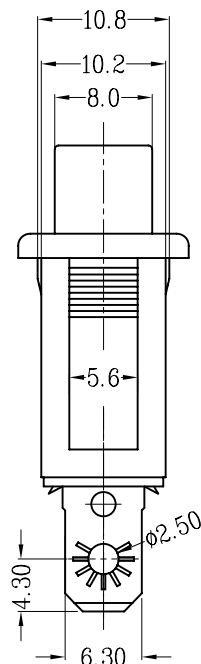
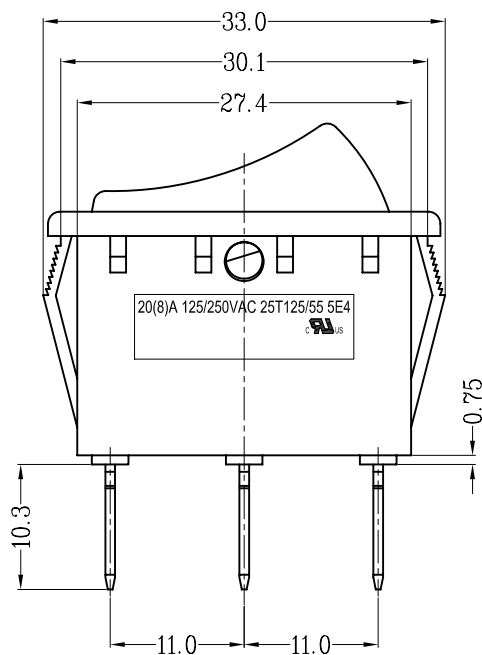
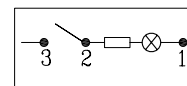


PANEL THICKNESS	DIM. X
0.75~1.25	30.1
1.25~2.0	30.3
2.0~3.0	30.6

PANEL CUT-OUT

TERMINAL TO BUTTON 3000VAC/5mA/1MINTUE  
TERMINAL TO TERMINAL 1500VAC/5mA/1MINTUE

7. CIRCUIT DIAGRAM:



TOLERANCE UNLESS SPECIFIED					
X: ±0.30 .XX: ±0.15 ANGULAR: ±3.0°					
PROJECTION:		V1.0			
	ISSUE	DATE	DESCRIPTIONS OF REVISION		APPD.
TITLE: ROCKER SWITCH	UNIT: mm	SCALE: NOT SCALE	DRWG NO.: BEJ-FH-W0714		
MODEL: PS8C-6-B1R3-2H15-14(A22269)	FUNCTION: OFF-ON		DWN.	黄荟荟	2017-02-11
	贝尔佳电子有限公司 BEI ER JIA ELECTRONICS CO., LTD		CHK'D.	冯辉	2017-02-11
			APPD.	谭云峰	2017-02-11



Product Specification (產品規格书)

Model No.(型號):  
PS8C-6 SeriesIssue Date(發佈日期):  
2014 年 07 月 19 日**1. General** [一般描述]

1.1 Part name [產品名稱]: PS8C-6 Series Rocker Switch [PS8C-6 系列船形開關]

1.2 Function[功能]:

A	OFF-ON
B	ON-ON
C	ON-OFF-ON

1.3 Operating temperature: -25°C~125°C

[使用環境溫度]

1.4 Standard testing condition: Normal Temperature(25°C±10°C)、Normal humidity(45~85%RH)、

[測試條件]

Normal atmospheric pressure(860~1060hpa)

[溫度(25°C±10°C)、濕度(45~85%RH)、大氣壓力(860~1060hpa)]

1.5 Appearance [外觀]: See attached dwg. [見附件圖紙]

**2. Approval/Rating** [認證/規格]

Approval [安規]	Rating [規格]	Electrical Life [壽命]	Remarks [備註]
CQC / KC	16(4)A 250VAC T105	1E4	Approved
ENEC VDE	16(4)A 250VAC T105/55		
UL	20(8)A 125/250VAC 25T125/55 5E4	5E4	

**3. Electrical Characteristics** [電氣特性]

No. [序號]	Item [項目]	Condition [條件]	Criteria [標準]
3.1	Electrical life [電氣壽命]	10,000 life cycles 50,000 life cycles [10,000 周次] [50,000 周次]	Switch perform 10 cycles of normal function after max. electrical life [開關達到最大電氣壽命後能繼續運行 10 周次]
3.2	Contact Resistance [接觸阻抗]	Initial : Test current:100mA [起始: 測試電流: 100mA]	≤ 50mΩ
3.3	Contact gap [接觸間隙]	In off position [在 OFF 位]	> 1.5mm
3.4	Insulation resistance [絕緣阻抗]	Between terminals to case at 500 VDC for 5 seconds [腳與外殼間承受 500VDC, 保持 5 秒]	≥ 100MΩ
3.5	Dielectric strength [耐壓強度]	Between terminals of contacts 1500VAC 5mA for 1 minute [腳與腳間承受 1500VAC, 5mA 保持 1 分鐘] Between terminals to button 3000VAC 5mA for 1 minute [腳與外殼間承受 3000VAC, 5mA 保持 1 分鐘]	Measurement before life test, no flash or dielectric breakdown [量度於壽命測試前, 無閃光或擊穿現象]



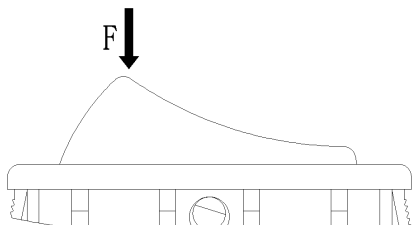
**Product Specification (產品規格書)**

**Model No.(型號):  
PS8 C-6 Series**

**Issue Date(發佈日期):  
2014 年 07 月 19 日**

No.[序號]	Item [項目]	Condition [條件]	Criteria [標準]
3.6.1	Increase-voltage at accelerated speed: [升壓加速測試]	Testing voltage & current: Increase 1.15 times The number of operating cycles: 100 Power factor: 0.95±0.05(0.6+0.05/-0) Ambient temperature: 25±10°C Operating rate&speed: 1s ON, 3s OFF; 80mm/s [測試電壓和電流: 1.15 倍額定電壓; 操作迴圈次數: 100 次; 功率因數: 0.95±0.05(0.6+0.05/-0); 環境溫度: 25±10°C; 操作頻率和速度: 1 秒通, 3 秒斷; 80mm/s ;	1、 The temperature rise test at the terminal carried out under rated current and ambient temperature of 25±10°C the temperature rise at the terminal dose not exceed 55K. 2、 Between terminals of terminals, Between terminals to button 1500VAC 5mA for 1 minute, Contact Resistance≤ 100mΩ 3、 The on-off function is Ok, no electrical problem, no mechanical breakdown, no abnormal appearance. 1、 通額定電流, 在周圍溫度為 25±10°C 的條件下進行溫升測試, 端子溫升不應超過 55K。 2、 介電強度在端子之間, 端子與外殼之間, 通過 1500VAC/min 高壓試驗; 漏電流設為 5mA ; 接觸電阻≤100 mΩ 3、 通斷功能應正常, 無電氣或機械障, 外觀無異常。
3.6.2	Slow speed test: [慢速測試]	Testing voltage & current: rated voltage & current The number of operating cycles: 100 Power factor: 0.95±0.05(0.6+0.05/-0) Ambient temperature: 25±10°C Operating rate&speed: 1s ON, 3s OFF; 20mm/s [測試電壓和電流: 額定電壓; 操作迴圈次數: 100 次; 功率因數: 0.95±0.05(0.6+0.05/-0); 環境溫度: 25±10°C; 操作頻率和速度: 1 秒通, 3 秒斷; 20mm/s ;	
3.6.3	Accelerated speed test: [加速測試]	Testing voltage & current: rated voltage & current The number of operating cycles: 49800 (49800) Power factor: 0.95±0.05(0.6+0.05/-0) Ambient temperature: 25±10°C Operating rate&speed: 1s ON, 3s OFF; 80mm/s [測試電壓和電流: 額定電壓; 操作迴圈次數: 49800 (49800) 次; 功率因數: 0.95±0.05(0.6+0.05/-0); 環境溫度: 25±10°C; 操作頻率和速度: 1 秒通, 3 秒斷; 80mm/s ;	

**4. Physical Characteristics [物理特性]**

No.[序號]	Item [項目]	Condition [條件]	Criteria [標準]
4.1	Mechanical life [機械壽命]	Perform 100,000 cycles operations [100,000 周次]	No detachable parts & switch w/ normal function [開關無損壞/功能正常]
4.2	Operating force [操作力]	Vertical force apply to the highest point of button [垂直力壓于按鈕最高點, 直至開關轉檔] 	650g•f±350g•f Notice Operating Force specification is only applied for standard knob. For other knob and lever types, please refer to specific drawing and/or specification. 注: 此操作力僅用適用於標準按鈕, 其他按鈕或控制桿請見成品圖和/或個別規格

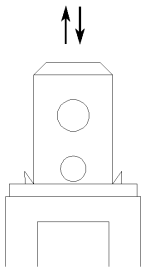


## Product Specification (產品規格书)

Model No.(型號):  
PS8C-6 Series

Issue Date(發佈日期):

2014 年 07 月 19 日

4.3	Terminal strength [端子強度]	Pulling & pushing force of max. 5kg apply to the terminal vertically [五金腳最大能承受垂直拔出/推入力5kg•f] 	No detach of terminal [腳無推入及脫離現象]
4.4	Solderability of terminals [端子可焊性]	Soldering temperature: $230 \pm 10^{\circ}\text{C}$ [焊接溫度 $230 \pm 10^{\circ}\text{C}$ ] Soldering time: $3 \pm 1$ seconds [焊接時間 $3 \pm 1$ 秒]	Solder should cover minimum 75% of soldering surface [焊接最少覆蓋 75% 焊接表面]
4.5	Resistance to soldering heat [焊接阻熱性]	Soldering temperature: $260 \pm 10^{\circ}\text{C}$ [焊接溫度 $260 \pm 10^{\circ}\text{C}$ ] Soldering time: $3 \pm 1$ seconds [焊接時間 $3 \pm 1$ 秒]	No damage of plastic [塑膠無損壞]
4.6	Flammability rating [防火等級]	Thermoplastic UL 94V-2 [熱塑性塑膠 UL 94V-2]	\

5. Remarks: [備註]

Prepared by (制定):  
黃芸芸Checked by (審核):  
馮輝Approved by (核准):  
譚云鋒

Date (日期): 2014-7-19

Date (日期): 2014-7-19

Date (日期): 2014-7-19