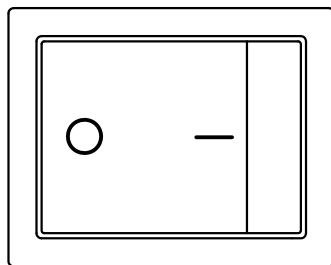
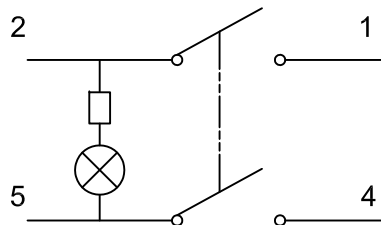


SPECIFICATION

1. RATING: UL C-UL: 16A 125VAC
ENEC SEMKO:
16(4)A 250VAC T125/55 1E4
2. CIRCUIT: ON-OFF W/Lamp DPST 4P
3. CONTACT RESISTANCE: 30m OHMS Max
4. INSULATION RESISTANCE: DC500V 100M OHMS Min
5. WITHSTAND VOLTAGE: AC 1500V 1 Minute
6. ELECTRICAL LIFE: 10000 Cycles at Full Load
7. OPERATION FORCE: 300~800gf
8. OPERATION TEMPERATURE RANGE: -25~+125° C

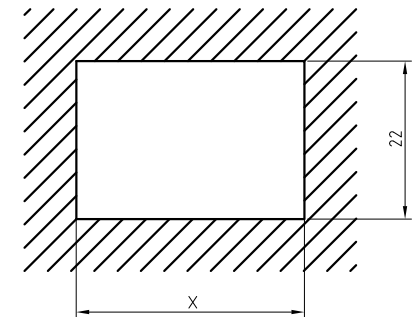


CIRCUIT DIAGRAM



PANEL HOLE SIZE

Panel thickness	X
0.75-1.25	30
1.25-2.0	30.2
2.0-3.0	30.5



MATERIALS

1. HOUSING: Nylon #66 UL 94V-2
2. ROCKER: PC UL 94HB
3. TERMINAL: Copper Alloy Ag plated
4. CONTACTOR: AgSnO₂In₂O₃ (10) /Cu

RLEIL ® NINGBO YINZHOU LIHE ELECTRONIC CO., LTD						RL2-321/N-C-2-GR/BK-P1 (B)	
TITLE						ROCKER SWITCH	
SERIES						RL2-3	
FUNCTION						ON-OFF W/Lamp	
DRAWING NUMBER							
设计	签名	年月日	标准化	签名	年月日	VIEWS TYPE	
制图	符辉	16.09.22					
审核	张雪飞						
工艺			批准				