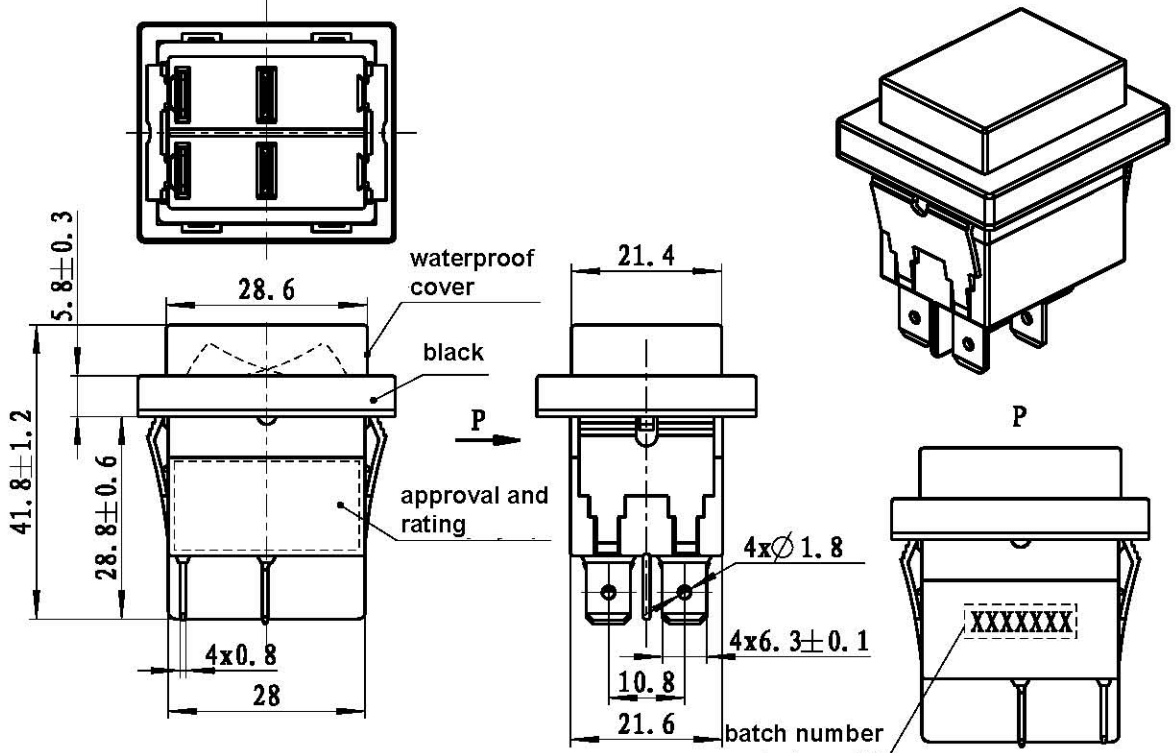


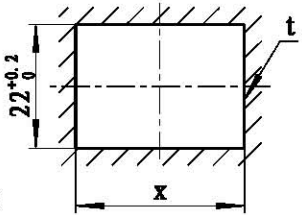
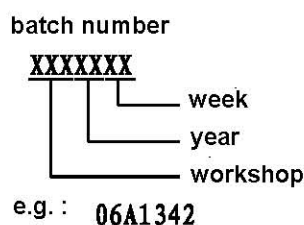
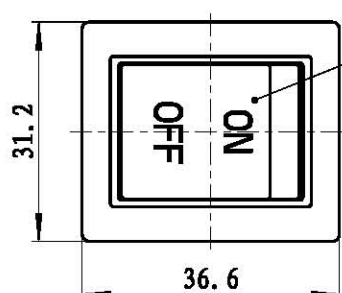
1113040045

Rejigger Index

REV.	mark	Qty	Verified Content	Description	Verified /Date	Rejigger /Date



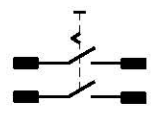
Mounting size



t	x
1 ~ 1.5	31.2 ^{+0.1} ₀
1.5 ~ 2.5	31.6 ^{+0.1} ₀

Approval and Rating

Circuit Diagram



Standard	Rating
UL1054	20A 125/250V ~ 50/60Hz 2HP 125/250V ~ 50/60Hz
IEC61058	18 (12) A 250V ~ 5B4
EN61058	18 (12) A 250V ~ 5B4
GB15092	18 (12) A 250V ~ 5B4

Technical requirement

- 1.Type:HY12-9-7;
- 2.Degree of protection:IP55;
- 3.Function: DPST,ON-OFF

Tolerance Not Marked

Basic Dimension	>0 ~ 6	>6 ~ 30	>30 ~ 120	>120 ~ 300
Tolerance	± 0.1	± 0.3	± 0.5	± 1

ASSEMBLE OUTLINE

KEDU ELECTRIC

111304016
PUSH BUTTON SWITCH

Signature	Designed by	陈东	20160108	Standard	王思琦	20160229
	Collated by	林建荣	20160215	Examined by		
Date	Checked by	叶乐生	20160227	Drawed by	陈东	20160108
	Technics			Approved by	李子平	20160304

Phase Mark	REV.	Scale
S	A	1:1
Current Page	Total Page	

1113040045

Common use register
Drawing
Collation
Old Bottom drawing No.
Bottom drawing No.