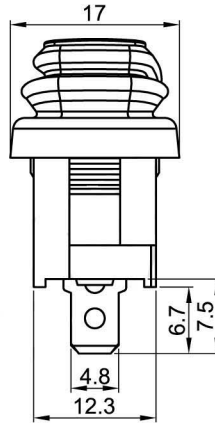
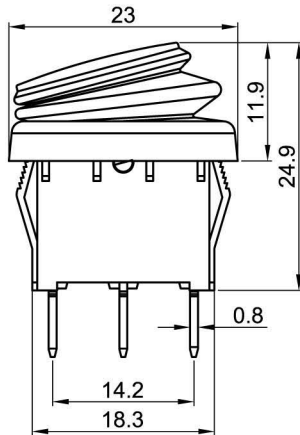
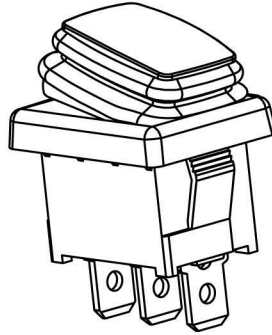
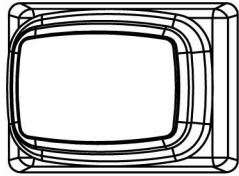
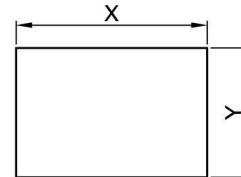


WR-1

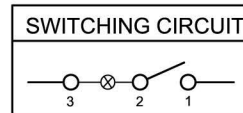


Rating: 12A 125V AC(UL CUL) ;  
 10A 250V AC(ENEC CQC) ;  
 Degree of protection:IP65;  
 Contact Resistance: 50mΩ Max. ;  
 Insulation Resistance:DC 500V 100MΩ Min. ;  
 Dielectric Strength:AC 1500V 1 minute  
 Operating Force:600± 150gf  
 Mechanical Life:50,000 cycles  
 Load Life:10,000 cycles  
 Operating Temperature: 0°C~85°C

CUT-OUT



|           | X        | Y        |
|-----------|----------|----------|
| 0.75~1.25 | 19.2-0.1 | 13.0+0.1 |
| 1.25~2.00 | 19.4-0.1 | 13.0+0.1 |
| 2.00~3.00 | 19.8-0.1 | 13.0+0.1 |



WR1-110-PXL-BR-220  
 01.086.0131

**MATERIAL:**

Body:Nylon66,UL rated:94V-2 min.

Actuator:PC.

Terminal:Brass,silver or tin plated.