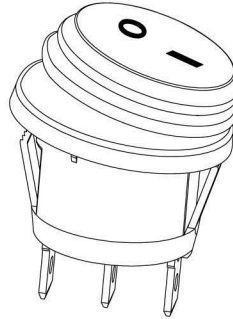
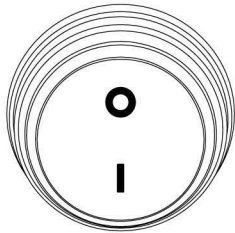
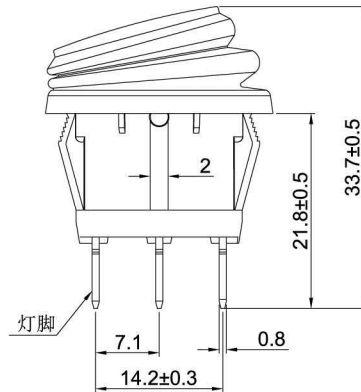
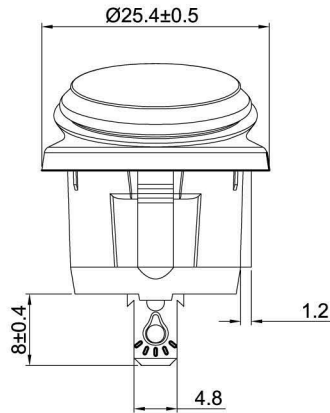


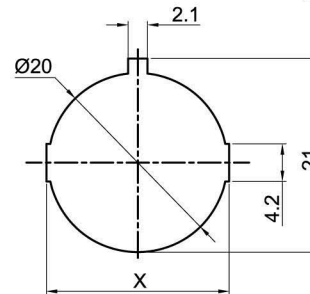
WR5



Rating: 12A 125V AC(UL CUL) ;
 10A 250V AC(ENEC CQC) ;
 Degree of protection: IP65;
 Contact Resistance: 20mΩ Max. ;
 Insulation Resistance:DC 500V 100MΩ Min. ;
 Dielectric Strength:AC 1500V 1 minute
 Operating Force:350±150gf
 Mechanical Life:50,000 cycles
 Load Life:10,000 cycles
 Operating Temperature: 0 °C~85 °C



CUT-OUT



| | X |
|-----------|------|
| 0.75~1.25 | 20.2 |
| 1.25~2.00 | 20.4 |
| 2.00~3.00 | 20.6 |

WR5-110-P5L-BR-24
 01.086.0132

MATERIAL:

Body:Nylon66,UL rated:94V-2 min
 Actuator:Nylon66,UL rated:94V-2 min
 Terminal:Brass,silver or tin plated

