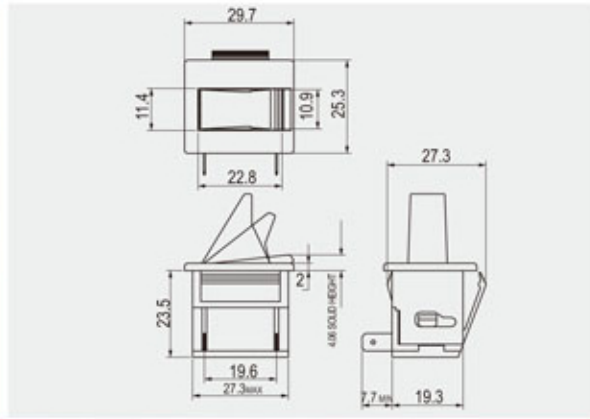


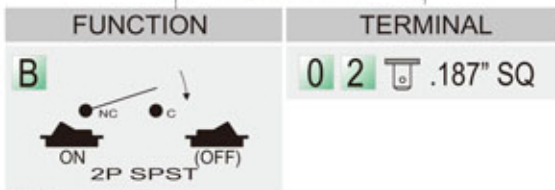
R13-915



FEATURES

- * MATERIAL: Frame and Actuator are nylon (UL flame: 94V-0). Terminals are phosphour bronze.
- * Application: Refrigerator.

R13-915 ■ - ■ ■



* () =momentary



Rating
5A 125V AC 2.5A 250V AC 1/4HP
Contact resistance
50mΩ Max
Insulation resistance
DC 500V 100MΩ Min
Dielectric strength
AC 1500V 1 minute
Cut-out

