

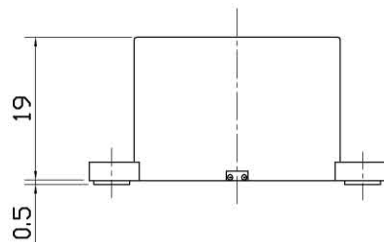
1 2 3 4 5 6 7 8

A

A

B

B

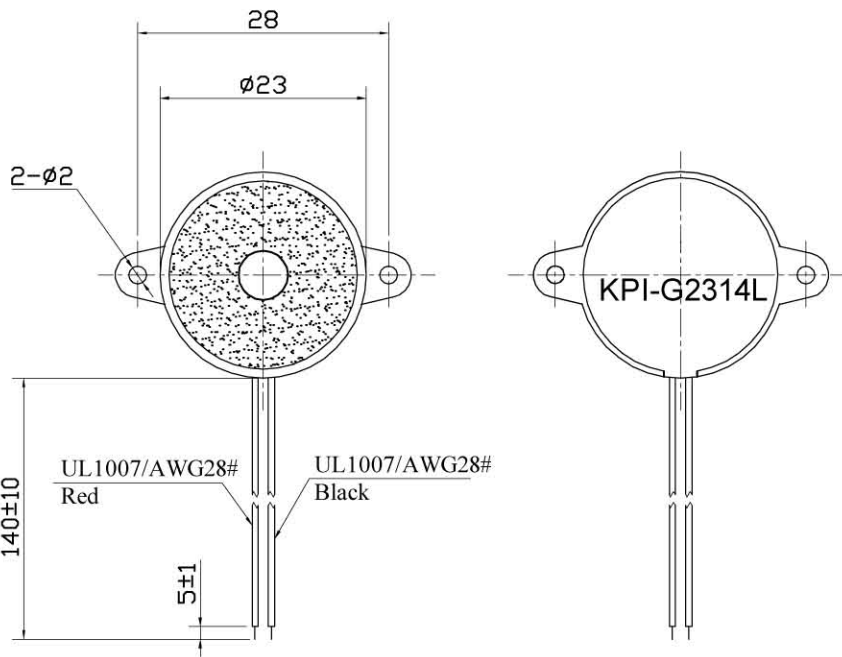


SPECIFICATION

- 1. Rated Voltage24VDC
- 2. Operating Voltage20~28VDC
- 3. Max. Rated Current20mA at 24VDC
- 4. Resonant Frequency3.1±0.5KHz
- 5. Min. Sound Pressure Level.....88dB at 24VDC/30cm
- 6. Tone NatureContinuous
- 7. Case MaterialABS
- 8. Operating Temperature-20~+60°C
- 9. Store Temperature-30~+70°C
- 10. Weight8g
- Red(红).....Positive(+)
- Black(黑).....Negative(-)

C

C



D

D

E

E

F

F

Compliance with ROHS	
Pizeo Buzzer TOP	
KPI-G2314L	
UNIT	DWG. NO.
mm	OEM2558R
SCALE	SHEET
NOT TO SCALE	VER 1.0

No.	DESCRIPTION	APPROVED	DATE
TOLERANCES UNLESS NOTED OTHERWISE		APPROVALS	DATE
∅	+	DRAWN	
.XX	+	CHECKED	
.XXX	+	APPROVED	07.03.28
90° FORMED	±		
ANGLES	-1°		
FIRST ANGLE PROJECTION			

1 2 3 4 5 6 7 8