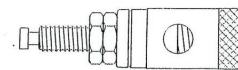
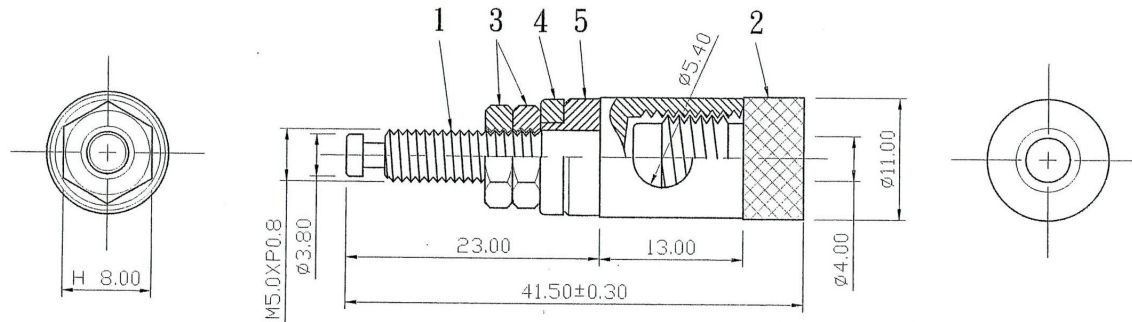


REMARK : RoHS REQUIREMENT APPLIED
 (符合RoHS)



S1:1

APPROVED BY :

UNITED AU-VI CO., LTD.



Description:

BINDING POST

Part No.:

BI-3620G/R



5	WASHER	PLASTIC	RED	1
4	WASHER	PLASTIC	RED	1
3	HEXAGON NUT	BRASS	GOLD	2
2	HEADLOCK	BRASS	GOLD	1
1	BODY	BRASS	GOLD	1
NO.	DESCRIPTION	MATERIAL	FINISH	Q'TY

Date: JAN 01 2011

File No. BI-104GG-SH5.4-RD/BK-20mm