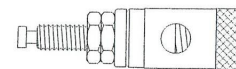
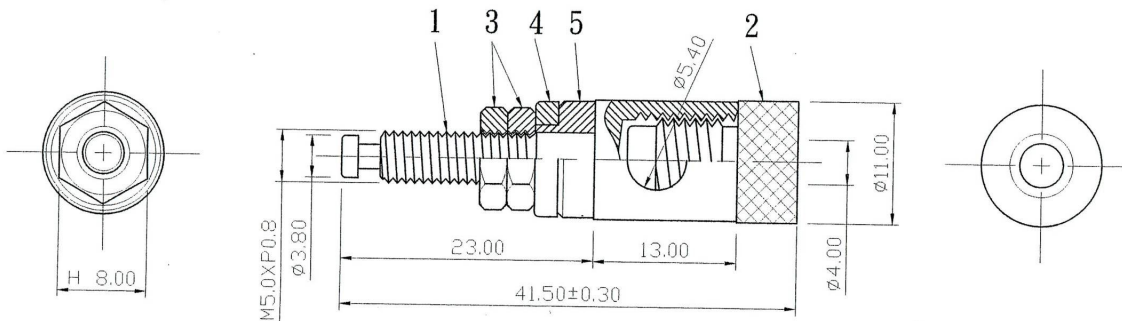


0.5-5= +/- 0.2
 5-30= +/- 0.4
 30-120= +/- 0.6
 120-315= +/- 1
 315-1000= +/- 1.6
 1000-2000= +/- 2.4

REMARK : RoHS REQUIREMENT APPLIED
 (符合RoHS)



S 1 : 1

					APPROVED BY :		UNITED AU-VI CO., LTD.	
5	WASHER	PLASTIC	BLACK	1		Description: BINDING POST		
4	WASHER	PLASTIC	BLACK	1		Part No.: BI-3620G/B		
3	HEXAGON NUT	BRASS	GOLD	2				
2	HEADLOCK	BRASS	GOLD	1				
1	BODY	BRASS	GOLD	1				
NO.	DESCRIPTION	MATERIAL	FINISH	Q'TY	Date: JAN 01 2011	File No. BI-104GG-SH5.4-RD/BK-20mm		