

DIMENSIONS ARE IN MILLIMETERS

0.5-5= +/- 0.2

5-30= +/- 0.4

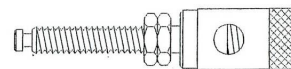
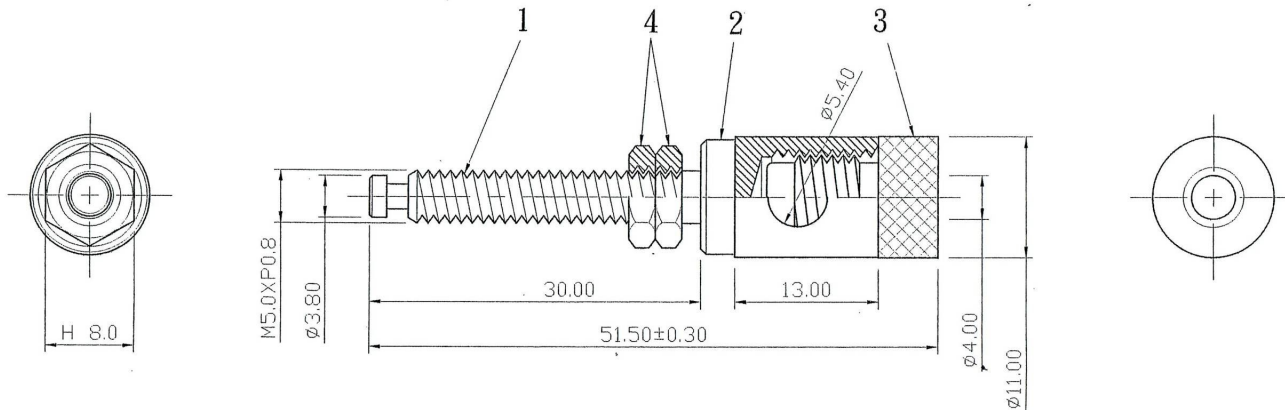
30-120= +/- 0.6

120-315= +/- 1

315-1000= +/- 1.6

1000-2000= +/- 2.4

REMARK : RoHS REQUIREMENT APPLIED
(符合RoHS)



S 1 : 1

APPROVED BY :

UNITED AU-VI CO., LTD.



Description:

BINDING POST

Part No.:

BI-3630G/R



4	NUT	BRASS	GOLD	2
3	HEADLOCK	BRASS	GOLD	1
2	WASHER	PLASTIC	RED	1
1	BODY	BRASS	GOLD	1
NO.	DESCRIPTION	MATERIAL	FINISH	Q'TY

Date: JAN 01 2011

File No. BI-103GG-SH5.4-BK/RD-30mm