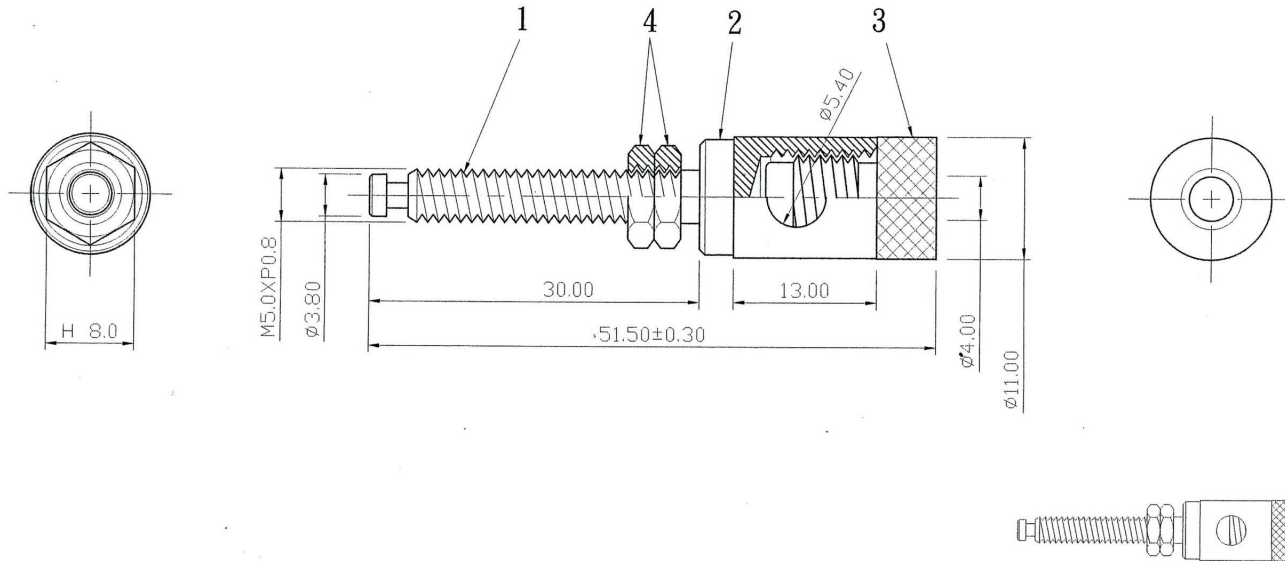


DIMENSIONS ARE IN MILLIMETERS

0.5-5= +/- 0.2
 5-30= +/- 0.4
 30-120= +/- 0.6
 120-315= +/- 1
 315-1000= +/- 1.6
 1000-2000= +/- 2.4

REMARK : RoHS REQUIREMENT APPLIED
 (符合RoHS)



S1:1

APPROVED BY : **UNITED AU-VI CO., LTD.**



4	NUT	BRASS	GOLD	2
3	HEADLOCK	BRASS	GOLD	1
2	WASHER	PLASTIC	BLACK	1
1	BODY	BRASS	GOLD	1
NO.	DESCRIPTION	MATERIAL	FINISH	Q'TY

Description: BINDING POST	
Part No.: BI-3630G/B	
Date: JAN 01 2011	
File No. BI-103GG-SH5.4-BK/RD-30mm	