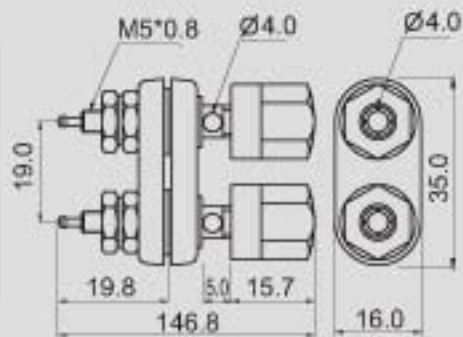


# R1-19B2P



DC500V 100M $\Omega$

$\frac{\varnothing 0.5}{\varnothing 4.5}$  0.5~4.5mm

AC 1000V 1 minute

10A

-10°C~+80°C

## FEATURES:

- Material:
  - Insulation: nylon(UL flame: 94V-2).
  - Metal: nickel plated brass.
- $\varnothing 4.0$ mm(0.160") banana socket with  $\varnothing 4.0$ mm(0.160") cross hole.

## CUT-OUT

