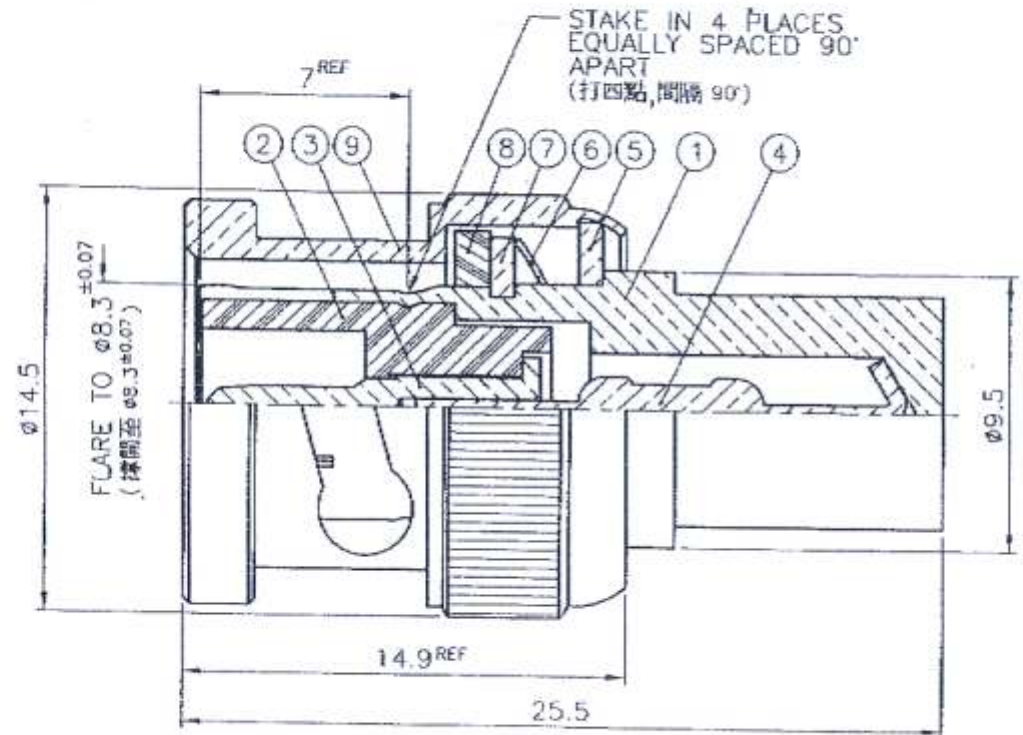


DIMENSIONS ARE IN MILLIMETERS

- 0.5-5 = +/- 0.2
- 5-30 = +/- 0.4
- 30-120 = +/- 0.6
- 120-315 = +/- 1
- 315-1000 = +/- 1.6
- 1000-2000 = +/- 2.4



- NOTES: FINISH (PLATING THICKNESS IN MICRO-INCHES)
1. BRASS PER QQ-B-626
 2. NICKEL PL 70 MIN THICK OVER COPPER STRIKE
 3. GOLD FLUSH OVER NICKEL PL 70 MIN THICK OVER COPPER STRIKE
 4. ZINC DIECAST

9	SHELL	NOTE 4	NOTE 2	1	C10-001N02
8	GASKET	RUBBER	RED	1	C02-03401
7	C RING	SS41	NOTE 2	1	C03-003N02
6	SPRING	SK5	NOTE 2	1	C03-007N
5	WASHER	SS41	NOTE 2	1	C03-005N
4	RESISTOR	50OHM +/- 1% 1/4W		1	C07-001
3	CONTACT PIN	NOTE 1	NOTE 3	1	C01-005RGF
2	INSULATOR	DELIN	WHITE	1	C02-006
1	BODY	NOTE 1	NOTE 2	1	B7017-02RNA

RoHS COMPLIANT

APPROVED BY:



UNITED AU-VI CO., LTD.

Description: BNC MALE TERMINATOR 1/4W 50OHM

Part No.: V-7017X-D



NO. DESCRIPTION MATERIAL FINISH Q'TY DRAWING NO Date: SEP. 03 2008

File No.: R7017-ZNDGA