

DIMENSIONS ARE IN MILLIMETERS

0.5-5 = +/- 0.2

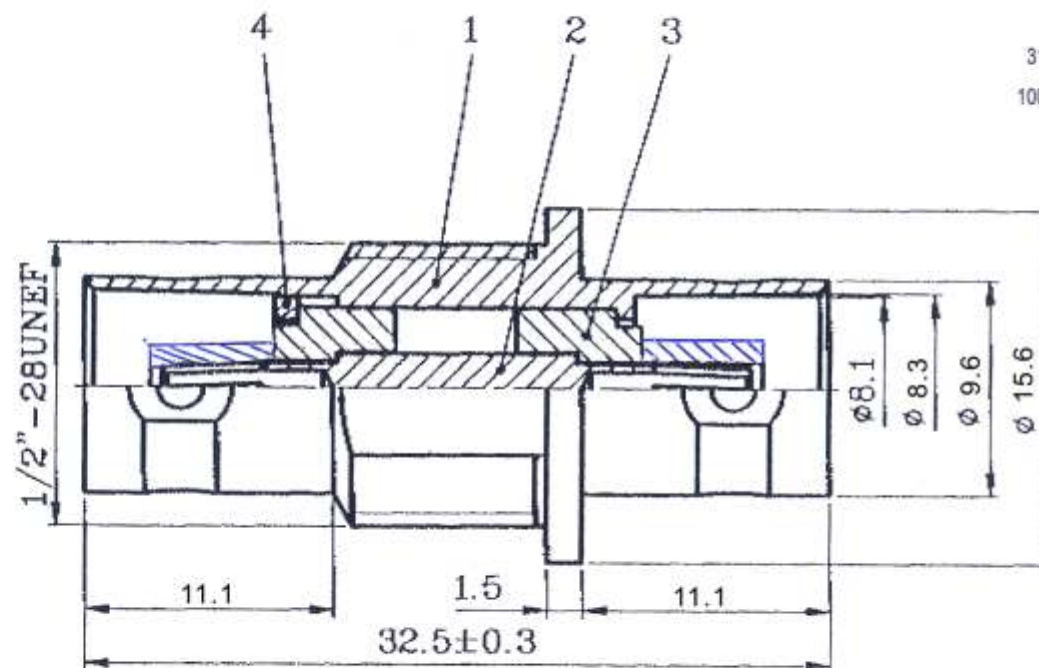
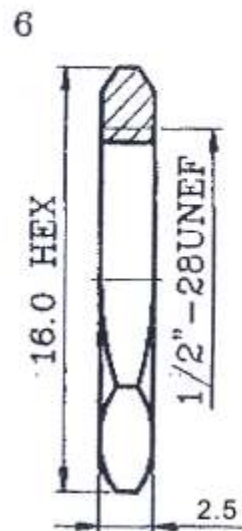
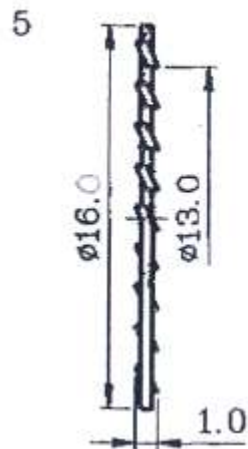
5-30 = +/- 0.4

30-120 = +/- 0.6

120-315 = +/- 1

315-1000 = +/- 1.6

1000-2000 = +/- 2.4



RoHS COMPLIANT

6	NUT	1	BRASS	NICKEL	APPROVED BY:  Date: NOV. 20 2007
5	WASHER	1	STEEL	NICKEL	
4	WASHER	1	BRASS	NICKEL	
3	INSULATOR	2	DELTRIN	WHITE	
2	PIN	1	BRASS	GOLD	
1	BODY	1	ZINC	NICKEL	
NO.	DESCRIPTION	Q'TY	MATERIAL	FINISH	Date: NOV. 20 2007

UNITED AU-VI CO., LTD.

Description: BNC DOUBLE FEMALE BULKHEAD 50OHM, ALL DIE-CAST

Part No.: V-7062X-DC

ULTIMAX®
THE ULTIMATE ELECTRONIC COMPONENTS

File No.: JL