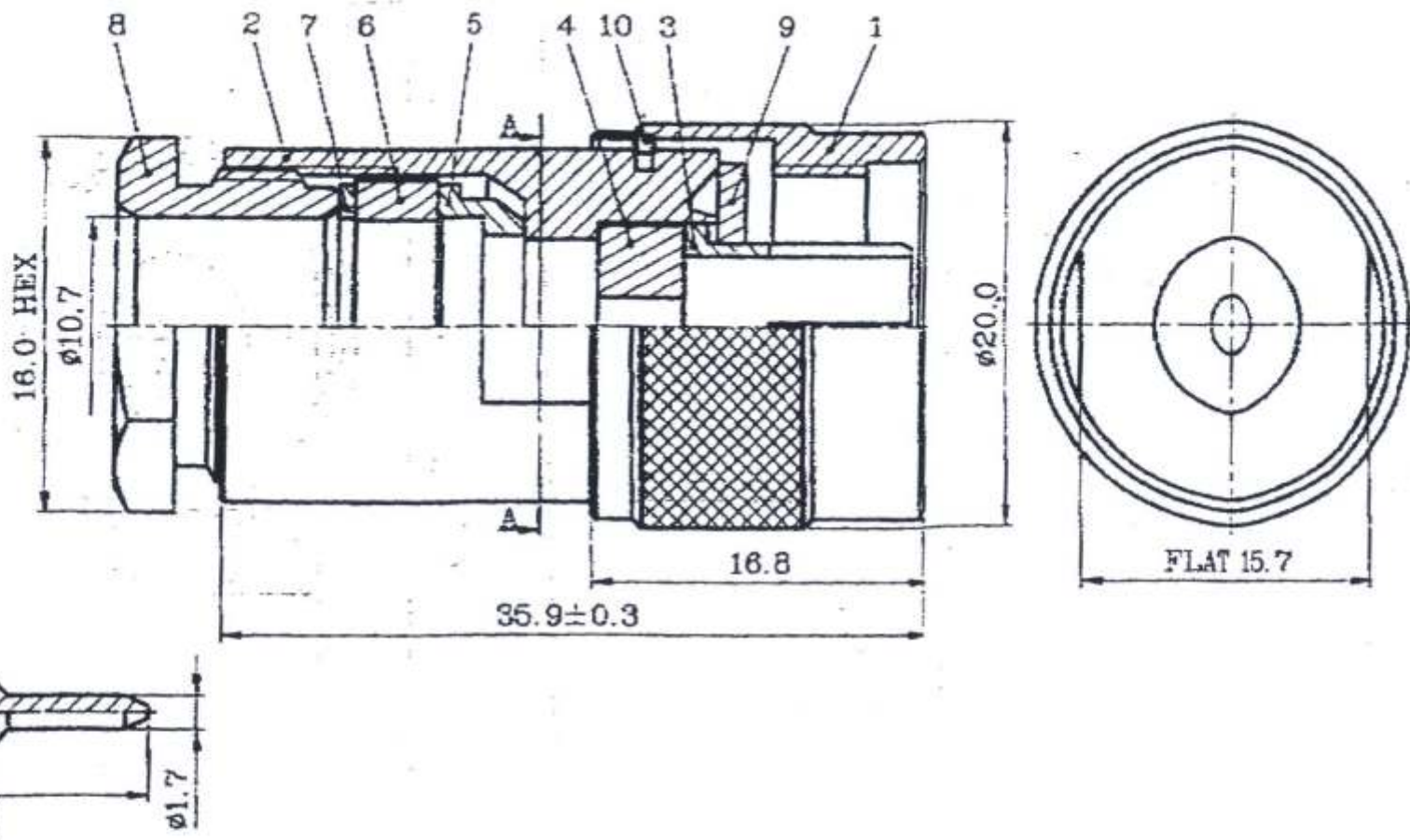


DIMENSIONS ARE IN MILLIMETERS

0.5-5 = +/- 0.2
 5-30 = +/- 0.4
 30-120 = +/- 0.6
 120-315 = +/- 1
 315-1000 = +/- 1.6
 1000-2000 = +/- 2.4



11	PIN	1	BRASS	GOLD
10	WASHER	1	BRASS	NONE
9	GASKET	1	RUBBER	RED
8	SCREW	1	BRASS	NICKEL
7	WASHER	1	BRASS	NICKEL
6	GASKET	1	RUBBER	RED
5	TOP HAT	1	BRASS	NICKEL
4	INSULATOR	1	TEFLON	WHITE
3	BODY	1	BRASS	NICKEL
2	BODY	1	BRASS	NICKEL
1	SHELL	1	BEASS	NICKEL

ROHS COMPLIANT

APPROVED BY:



UNITED AU-VI CO., LTD.

Description: N MALE CLAMP RG213/U

Part No.: V-7304E-T

ULTIMAX[®]
 THE ULTIMATE ELECTRONIC COMPONENTS

No.	DESCRIPTION	Qty	MATERIAL	FINISH	Date: JUN. 20 2006
-----	-------------	-----	----------	--------	--------------------

File No: CT