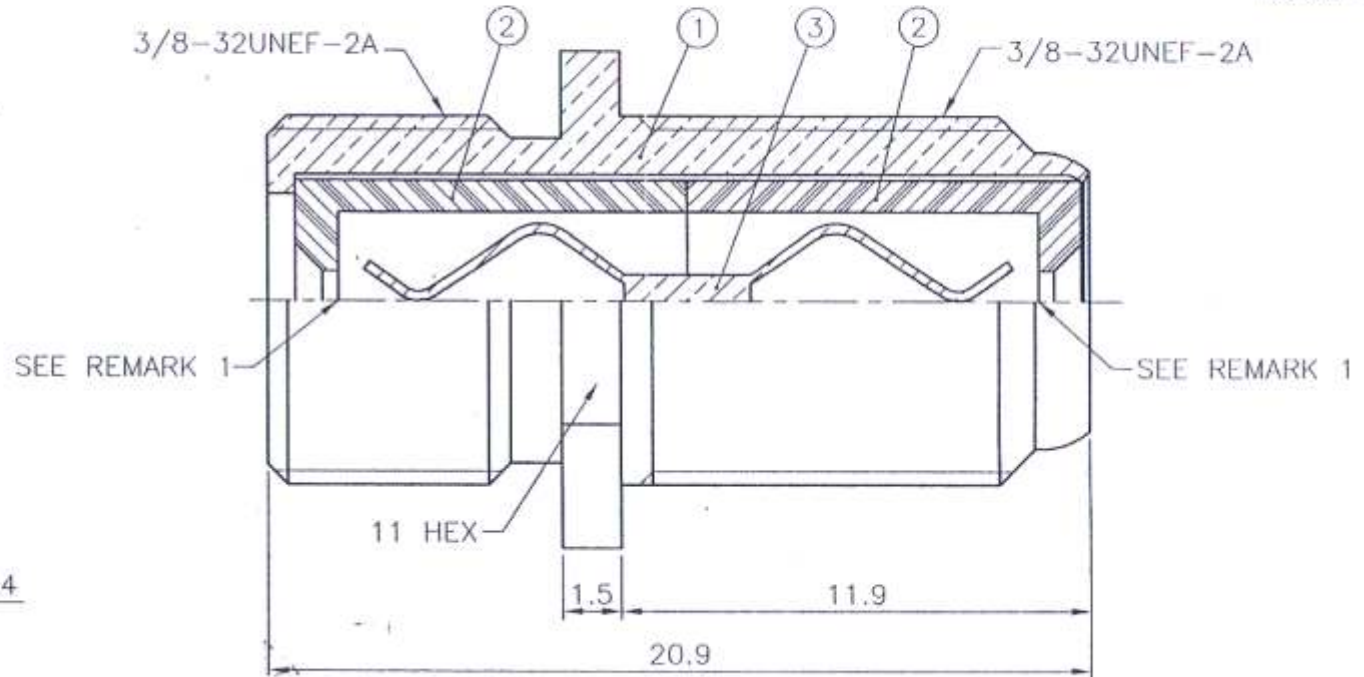
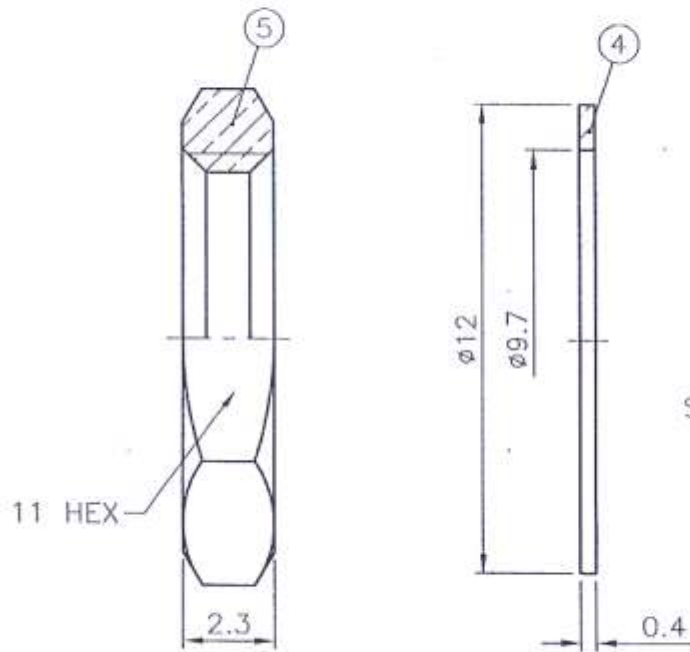


- REMARK: 1. ACCEPTS  $\phi 0.5 \sim \phi 1.07$  MATING PIN  
(允許  $\phi 0.5 \sim \phi 1.07$  公針配合)  
2. RoHS REQUIREMENT APPLIED  
(符合 RoHS)

DIMENSIONS ARE IN MILLIMETERS

0.5-5 =  $\pm 0.2$   
5-30 =  $\pm 0.4$   
30-120 =  $\pm 0.6$   
120-315 =  $\pm 1$   
315-1000 =  $\pm 1.6$   
1000-2000 =  $\pm 2.4$



NOTES: FINISH (PLATING THICKNESS IN MICRO-INCHES)

1. BRASS PER QQ-B-626
2. NICKEL PL 70 MIN THICK OVER COPPER STRIKE
3. BRASS JIS H 3100, C 2680
4. BRIGHT TIN PL 100 MIN THICK OVER COPPER STRIKE

ROHS COMPLIANT

APPROVED BY :

UNITED AU-VI CO., LTD.



Description:

F DOUBLE FEMALE BULKHEAD

Part No.:

V-7242

**ULTIMAX**  
THE ULTIMATE ELECTRONIC COMPONENTS

No.	DESCRIPTION	Qty	MATERIAL	FINISH	Part no.
5	NUT	1	SS41	NOTE 2	C05-002N01
4	WASHER	1	SS41	NOTE 2	C03-014N
3	CONTACT PIN	1	NOTE 3	NOTE 4	R7242-BNPTB
2	INSULATOR	1	P.P.	WHITE	R7242-BNPTB
1	BODY	1	NOTE 1	NOTE 2	R7242-BNPTB

Date: APR. 24 2006

File No.: R7242-BNPTA