

DIMENSIONS ARE IN MILLIMETERS

0.5-5 = +/- 0.2

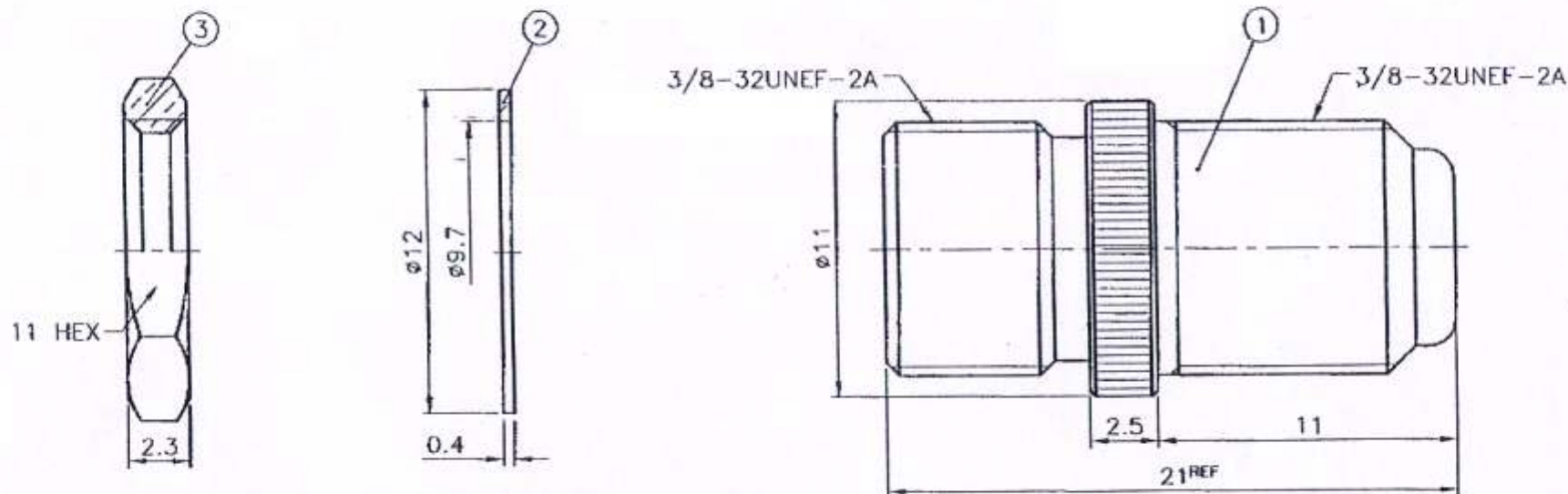
5-30 = +/- 0.4

30-120 = +/- 0.6

120-315 = +/- 1

315-1000 = +/- 1.6

1000-2000 = +/- 2.4



NOTES: FINISH (PLATING THICKNESS IN MICRO-INCHES)

1. BRASS PER QQ-B-626

2. NICKEL PL 70 MIN THICK OVER COPPER STRIKE

3. BRASS JIS H 3100, C 2680

4. BRIGHT TIN PL 100 MIN THICK OVER COPPER STRIKE

RoHS COMPLIANT

No.	DESCRIPTION	Qty	MATERIAL	FINISH	Part no.	Date:	APPROVED BY :	Description:	Part No.:
3	NUT	1	STEEL	NOTE 2	C05-002N01	MAR. 23 2006		<b>UNITED AU-VI CO., LTD.</b> F DOUBLE FEMALE WITH WASHER & NUT	<b>V-7258</b>
2	WASHER	1	SS41	NOTE 2	C03-014N				
1	CONTACT PIN	1	NOTE 3	NOTE 4	H7242-BNPTA05				
	INSULATOR BODY		P.P.	NATURAL		NOTE 1	NOTE 2		
									 THE ULTIMATE ELECTRONIC COMPONENTS