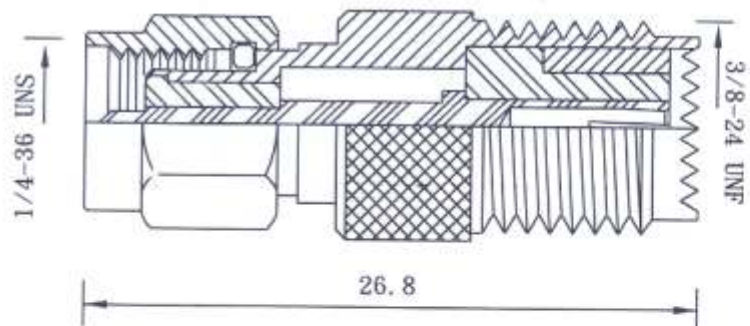


REVISIONS	
MBOI.	DESCRIPTION/DATE



3	Insulator	Teflon/Delrin	White
2	Contact	Brass	Gold
1	Body	Brass	Nickel
NO	Description	Material	Finish

<p>CUSTOMER OUTLINE DRAWING Unless Otherwise Specified Tolerances Dimensions Are In Millimeters And For Customer Reference Only</p> <p>0.5-6+/-0.2 6-30+/-0.4 30-120+/-0.6 120-315+/-1.0</p> <p>RoHS</p> <p>All Connectors Design Right Protected</p> <p>RF/Microwave Connectors Professional Manufacturer Copy Right Reserved</p>		<p>United AU-VI CO LTD</p>			
<p>Part No:</p> <p>V-7822</p>		<p>Title:</p> <p>SMA PLUG-Mini UHF JACK T.G.N.</p>			
<p>Date:</p> <p>Aug/20/2009</p>			<p>Scale:</p> <p>3:1</p>	<p>Unit:</p> <p>M/M</p>	<p>Rev:</p> <p>A</p>