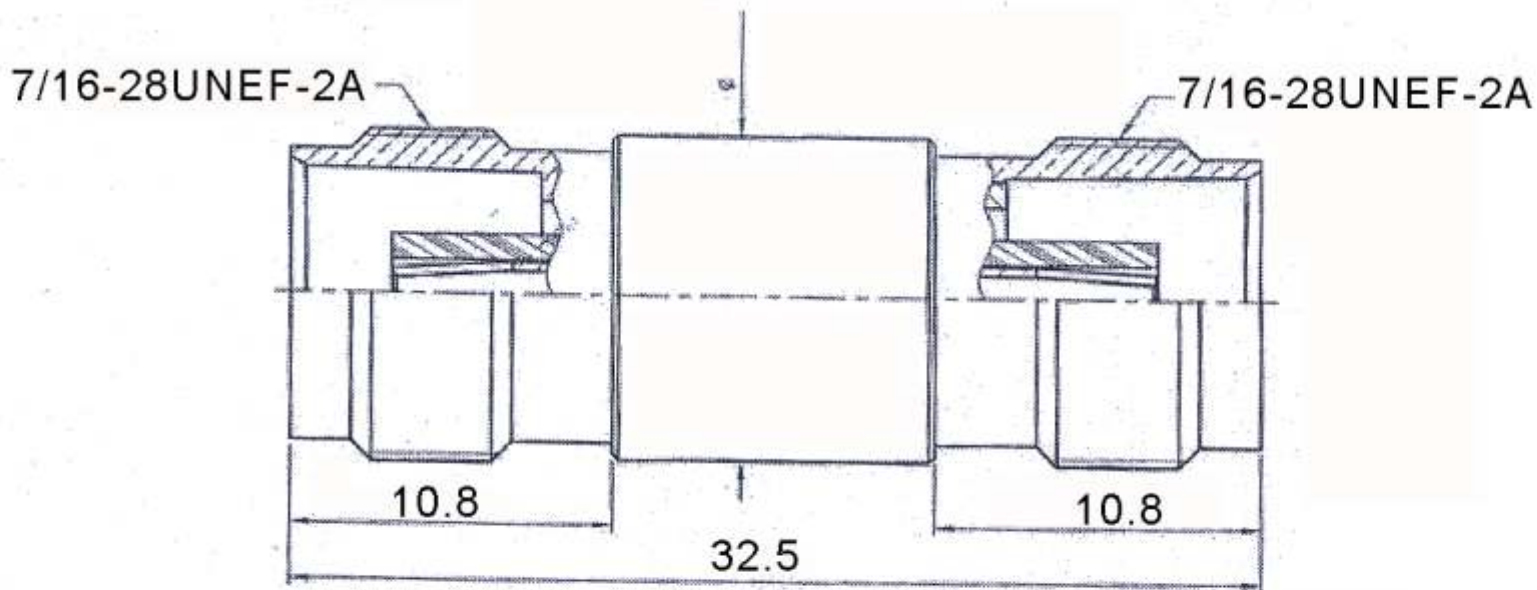


REMARK: RoHS COMPLIANT  
 (符合RoHS)



NOTES: FINISH (PLATING THICKNESS IN MICRO-INCHES)

1. BRASS PER QQ-B-626
2. NICKEL PL 70 MIN THICK OVER COPPER STRIKE
3. GOLD PL 3 MIN OVER NICKEL PL 70 MIN THICK OVER COPPER STRIKE
4. PHOSPHOR BRONZE PER QQ-B-750

APPROVED BY:



**UNITED AU-VI CO., LTD.**

Description:

TNC JACK TO JACK ADAPTOR

Part No.:

V-7433



4	LOCK RING	NOTE 1	NOTE 2	
3	CONTACT PIN	NOTE 4	NOTE 3	
2	INSULATOR	DELFIN	WHITE	
1	BODY	NOTE 1	NOTE 2	
NO.	DESCRIPTION	MATERIAL	FINISH	Q'TY

Date: JAN 28 2010

NO. 7478NS500CF001B