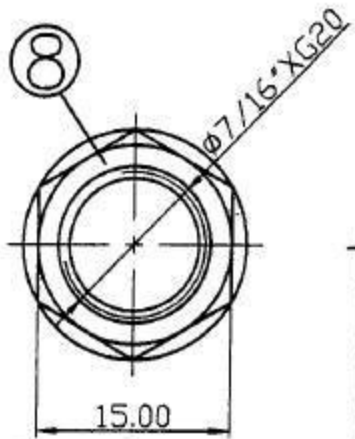
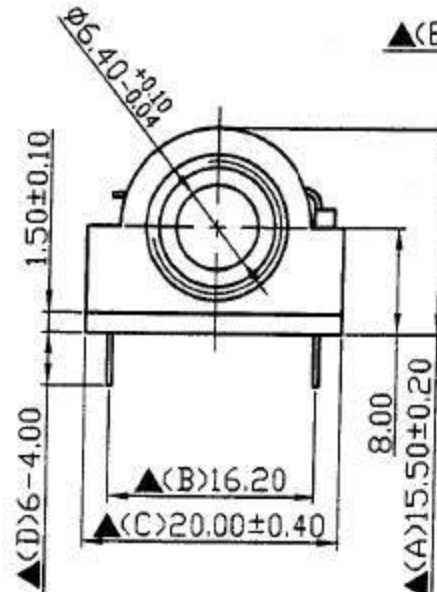
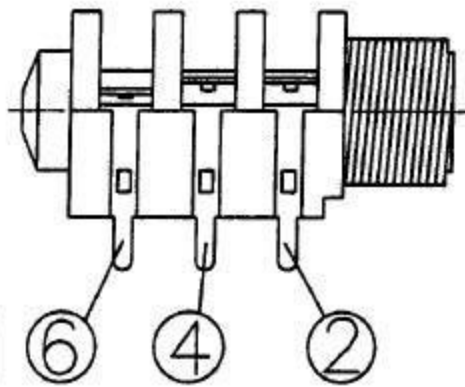


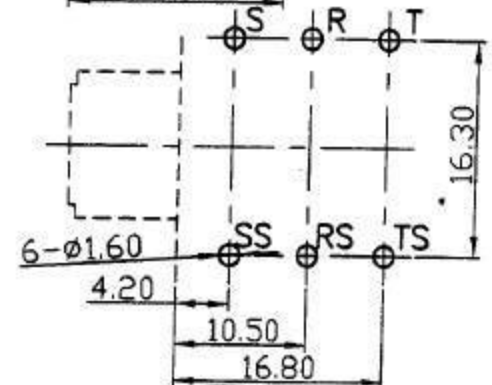
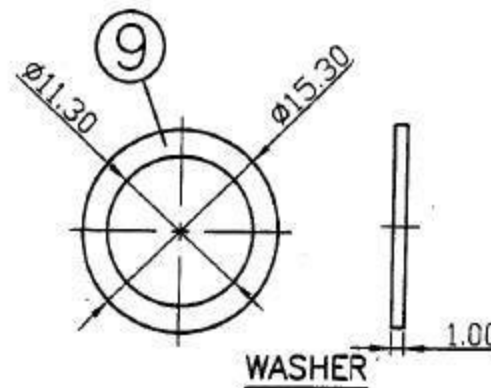
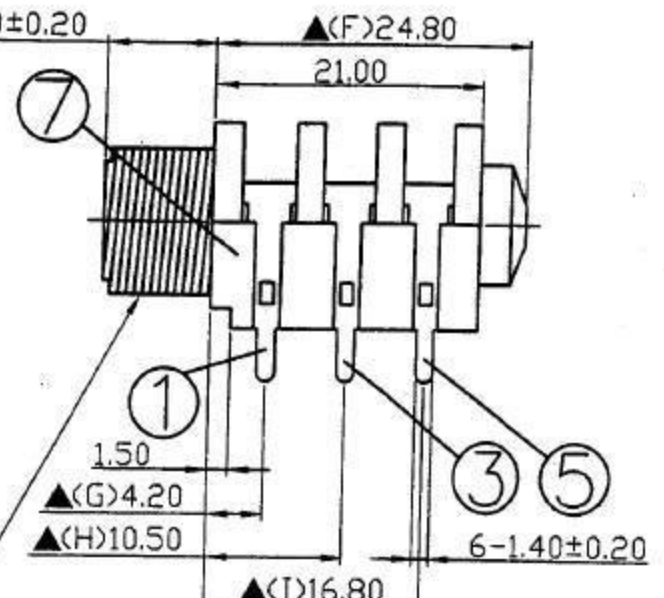
SCHEMATIC	
MODEL NO	G



NUT



$\phi 7/16 \times G20$  METRIC THREAD



PIR Flat Layout  
(Jack Bottom View)  
2008 9. 24  
BZ.

NO.	Description	Material	Q'TY	Finish
9.	Washer	PAPER SHEET t1.0	1	Red Color
8.	Nut-Hexagon	PA66	1	Black Color
7.	Housing	PA66	1	Black Color
6.	Tip Shunt	0.4T Bronze	1	Silver Plated
5.	Tip Spring	0.4T Phosphor Bronze	1	Silver Plated
4.	Ring Shunt	0.4T Bronze	1	Silver Plated
3.	Ring Spring	0.4T Phosphor Bronze	1	Silver Plated
2.	Sleeve Shunt	0.4T Bronze	1	Silver Plated
1.	Sleeve Spring	0.4T Phosphor Bronze	1	Silver Plated

SCJ638P30GS5BP0G

**UNITED AU-VI CO., LTD.**

DATE	DWN	CHKD	APVD	MANAGER
09.24.2008	付清華	阮和安	王維	王維

RoHS  
Pb Free Process

PART NAME : 6.3 $\phi$  PHONE JACK PART NUMBER: **AJ-1600PS**

VERSION:3.0

TOLERANCE :  $\pm 0.3$ mm UNLESS OTHERWISE SPECIFIED

UNIT:mm



SCALE:1/1

SPECIFICATIONS:

Contact Resistance : 30m $\Omega$  max  
 Insulation Resistance : 100M $\Omega$  min. at DC 500V  
 Dielectric Withstand Voltage : AC 500V for one minute  
 Remark:  $\blacktriangle$ : The Most Important Dimension