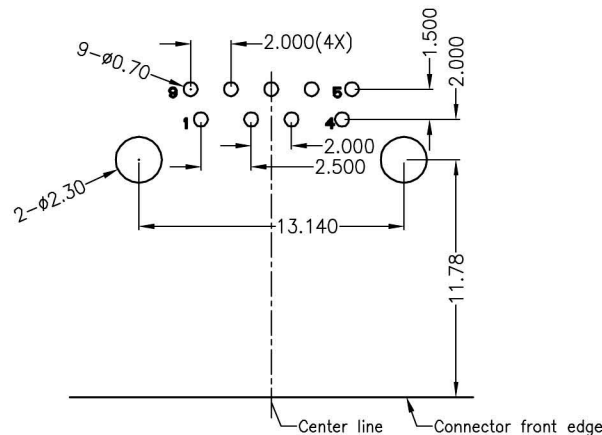
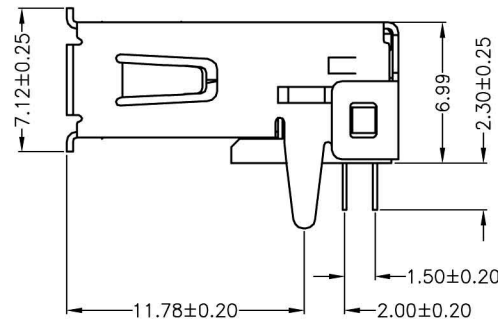
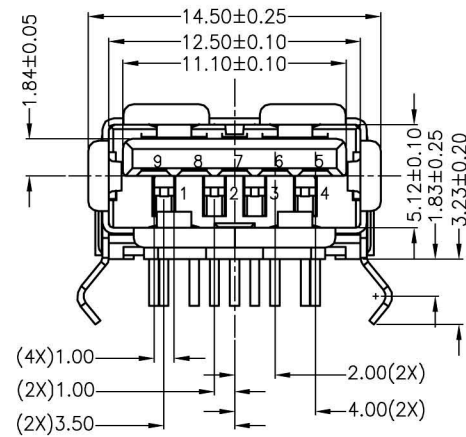
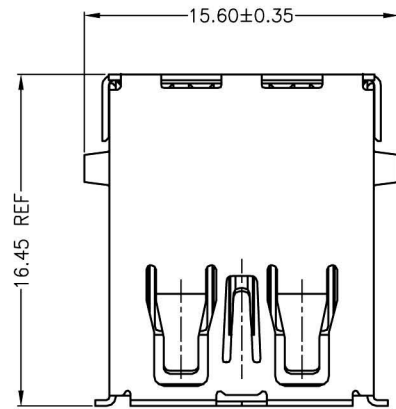


REV	DESCRIPTION	DATE	ECN NO.	CHANGER
A/0	The last word	10.11.19		
A-1	The last word	2014.10.31		lhp.liu

Specification

- Current Rating:1.8AMP at 250V AC
Voltage Rating:30V
- Insulation Resistance:100M Ω Min
- Contact Resistance:30m Ω Max
- Dielectric Withstanding Voltage:100V AC
- Temperature Range:-25°C to +85°C
- Mechanical Characteristics:
Insertion Force:35 Newtons maximum
Extraction Force:10 Newtons minimum



P/N	colour	Contact plating	Shell plating
10302209A009	Blue	Fu"	Black nickel
10302209B001	Blue	3u"	nickel
10302209D004	Nature	15u"	
10302209F001	Blue	40u"	
10312209A003	Blue	Fu"	
10312209C001	Blue	6u"	
10312209C002	Black	5u"	
10312209D005	Black	15u"	
10312209D006	Blue	15u"	
10312209F005	Black	30u"	
10312209F006	Blue	30u"	

5	Shell	C2680H	1	T=0.30 Plating see table
4	Cover	P.B.T	1	UL94V-0 see table
3	Housing	P.B.T	1	UL94V-0 see table
2	5pin Contact	C2680EH	5	T=0.20 Plating Gold see table
1	4pin Contact	C5191H	4	T=0.20 Plating Gold see table
NO.	VARIETY	MATERIAL	QT,Y	REMARK

X. ±0.38	X* ±4*	UNIT:	mm	DR:	bendee	TITLE:	USB AF 3.0 DIP 90°		
.X ±0.25	.X* ±2*	3RD:		DE:	bendee		SHEET:	1/1	P/N:
.XX±0.20	.XX*	SCALE:	1:1	CHKD:		D/N:		1014-0070	M/N:
.XXX±0.10	.XXX*	CUSTOMER DRAWING	REV:	A-1	APPD:				