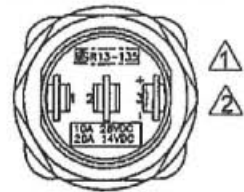
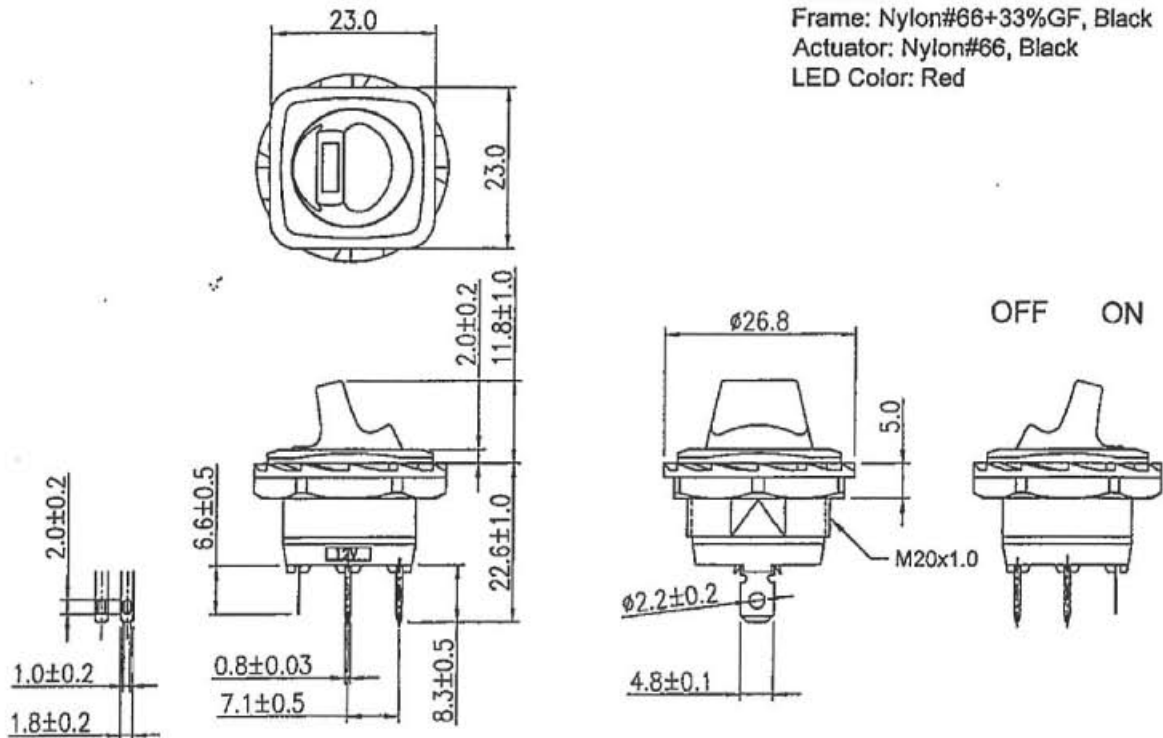


Rating	10A 28VDC 20A 12VDC		Circuit Diagram	
Contact Resistance	50m ohm Max.		OFF	
Insulation Resistance	DC 500V 100M ohm Min.		ON	
Dielectric Strength	AC 1500V 1 minute			
Operation Temperature	-25°C~85°C			
Switch Function	4P SPST ON-OFF (LED independent)			

Material:
 Frame: Nylon#66+33%GF, Black
 Actuator: Nylon#66, Black
 LED Color: Red



Tolerances ±0.3 Unless Otherwise Specified

5/11/15	周傑輝	依MCN#GRD2014230更新本體刻字		△
5/5/14	周傑輝	依實物和BOM更新刻字		△
Date	Name	Description		NO
Drawn	Checked	Approved	1810608	Model Name TOGGLE SWITCH
周杰輝	符洲	Simon	Customer No.	Model No. R13-135LP-02
5/11/15	5/11/15	5/11/15	Unit mm	Rev. 2