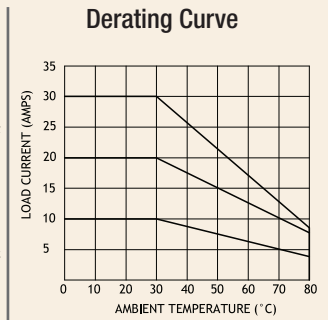
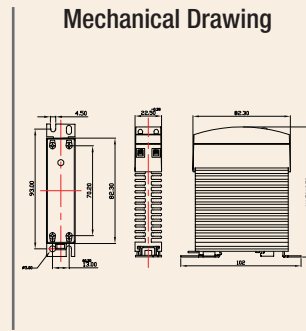
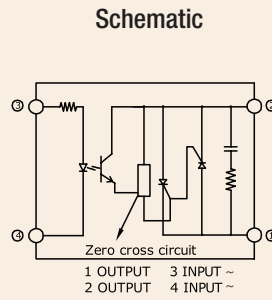


# Series: DIN 22A

**Din Ready SSR (240VAC)  
10~30Amps**

INPUT : AC Control  
OUTPUT : SCR



### Salient Features

- Zero Switching / Random Switching
- Transient over Voltage Protection (Optional)
- LED Indicator Showing Relay "ON" Status
- IP 20 Protection
- Opto Isolation 4000 VAC
- Built - In Snubber
- Connecting Terminals Layout as Contactor or SSR Standard

ELECTRICAL SPECIFICATION @ TA = 25°C			NOTE: FOR RANDOM T-ON SSR, ADD LETTER 'KA' IN PLACE OF 'A'		
PARAMETER	SYMBOL	UNIT	PRODUCT PART NUMBERS		
			DIN 22A 241028	DIN 22A 242528	DIN 22A 243028
<b>INPUT</b>					
Control Voltage Range		Vac	90-280	90-280	90-280
Control Current Range		mA	4-25	4-25	4-25
Pick-up Voltage		Vac	90	90	90
Drop-out Voltage		Vac	10	10	10
Input Resistance		KOhms	11	11	11
<b>OUTPUT</b>					
RMS on state Current	I <sub>T</sub>	A	10	25	30
Mains Control Voltage	V <sub>rms</sub>	Vac	24-240	24-240	24-240
Peak Off state Voltage	V <sub>drm</sub>	Vpk	600	600	600
Peak one cycle surge Current (Non-Rep)	I <sub>TSM</sub>	A	300	800	800
On state Voltage Drop	V <sub>TM</sub>	Vac	1.6	1.6	1.6
Off state Leakage current	I <sub>drm</sub>	mA	5	5	5
Zero T-On Voltage		Vpk	25	25	25
Critical Rate of Rise Off State Voltage	dv/dt	V/μs	300	500	500
Holding Current	I <sub>H</sub>	mA	50	80	80
Fusing Current	I <sup>2</sup> T	A <sup>2</sup> s	510	3745	3745
Turn-On	T-On	ms	40	40	40
Turn-Off	T-Off	ms	80	80	80
Frequency Range	f	Hz	47~63	47~63	47~63
Operating Temp	T Oper	°C	-30 to +80	-30 to +80	-30 to +80

