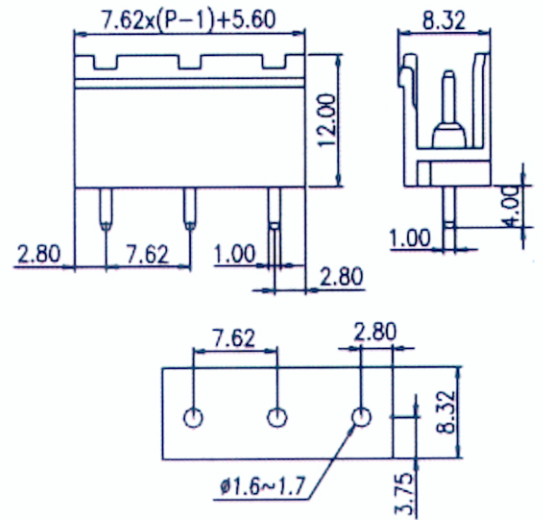
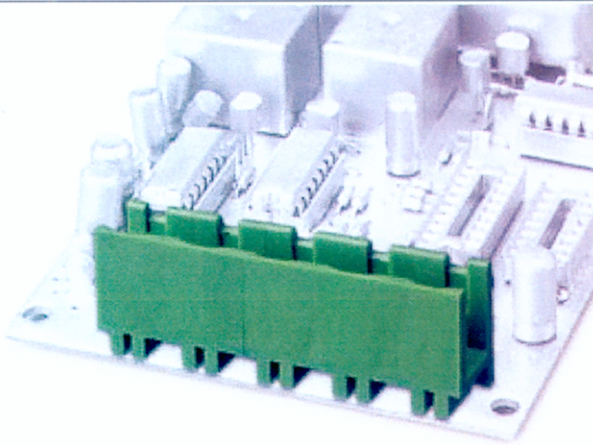






3EHDV



Pitch: 7.62mm

Approval		
Technical Data	UL	IEC
Rated voltage	300V	750A
Rated current	15A	17.5A
Wire range		
Solid wire (AWG)		
Stranded wire (AWG/mm ²)		
Rated surge voltage (UL/IEC/Max.)	1.6 / 3 / 4 KV	
Torque (Lb-in)		
Screw		
Wire strip length		
Pole	Cat. No.	
02	3EHDV-02P	
:	:	
:	:	
14	3EHDV-14P	