

## PCE data sheet

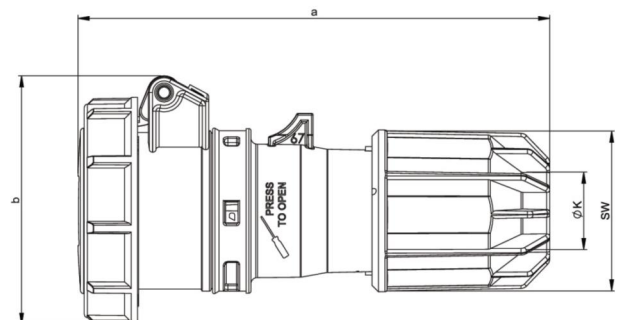
article#	<b>2822-12v</b>
article description	<b>CEE-connector 16A 2p 42VAC 50/60Hz IP67 TWIST</b>
description long	CEE-connector 16A 2p 42VAC 50/60Hz IP67 TWIST housing material: PA6 rated current: 16A number of poles: 2 (2P) clock-position: 12h rated voltage/frequency: 42V~ / 50+60Hz contacts: brass nickel plated connection technology: screw terminals IP protection class: IP67
GTIN (EAN)	9003399059759
country of origin	AT
customs number	85366990
net weight	0.195 kg
packaging quantity	10
minimum order quantity	10



ETIM 7.0	EC001320
IEC-amperage	16 A
Number of poles	2
Voltage acc. EN 60309-2	40-50 V (50+60 Hz) white
Clock hour position	12 h
Degree of protection (IP)	IP67
Connection system	Schraubklemme
Angle of plug	Straight
Cable entry	Verschraubung
Material	Plastic



a	150 mm
b	78 mm
K (cable Ø)	9,5-24 mm
SW	48 mm
wire flexible	1-10 mm <sup>2</sup>
contact screws	160 Ncm
strain relief	600 Ncm
dismantling length	70 mm
stripping length	14-16 mm



[www.manufacturer-safety.info](http://www.manufacturer-safety.info)