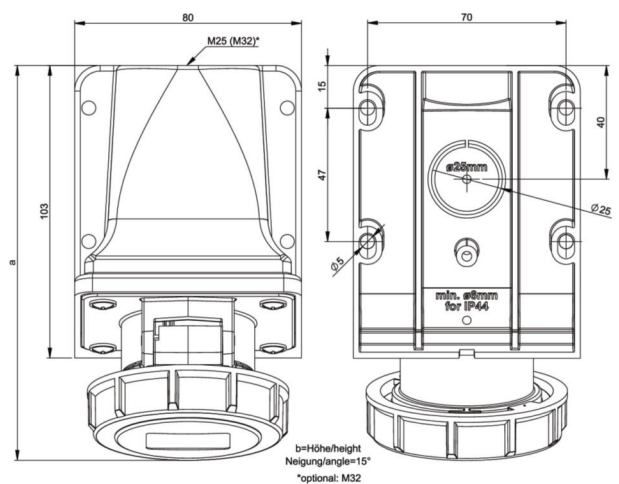


PCE data sheet

article#	1832-12v
article description	CEE-wall mounted socket 16A 3p 42VAC 50/60Hz IP66/IP67 TWIST
description long	CEE-wall mounted socket 16A 3p 42VAC 50/60Hz IP66/IP67 TWIST housing material: PA6 rated current: 16A number of poles: 3 (3P) clock-position: 12h rated voltage/frequency: 42V~ / 50+60Hz contacts: brass nickel plated connection technology: screw terminals IP protection class: IP66/IP67
GTIN (EAN)	9003399684098
country of origin	AT
customs number	85366990
net weight	0.244 kg
packaging quantity	5
minimum order quantity	10

ETIM 7.0	EC001321
IEC-amperage	16 A
Number of poles	3
Voltage acc. EN 60309-2	40-50 V (50+60 Hz) white
Clock hour position	12 h
Identification colour	White
Degree of protection (IP)	IP67
Connection system	Schraubklemme
Cable entry	Verschraubung
Material	Plastic
Type of fastening	External mounting
Insulated mounting	True

a	143 mm
wire flexible	1-10 mm ²
wire solid	1,5-10 mm ²
contact screws	160 Ncm
dismantling length	70 mm
stripping length	14-16 mm



www.manufacturer-safety.info