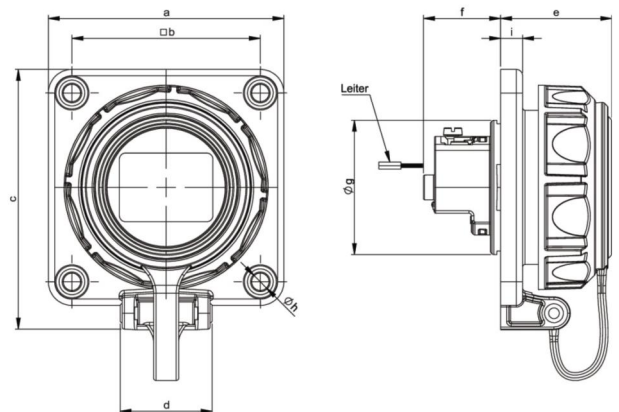


## PCE data sheet

article#	<b>20351-8b</b>
article description	<b>Flanged socket w. cover band 75x75 IP68</b>
description long	Schutzkontakt-Anbausteckdose 75x75 nat Deckelband IP66/68 (blau)
GTIN (EAN)	9003399023965
country of origin	AT
customs number	85366990
net weight	0.103 kg
packaging quantity	10
minimum order quantity	10

ETIM 8.0	EC001325
Model	Protective contact (SCHUKO)
Material	Plastic
Material quality	Thermoplastic
Flange size	75x75 mm
With hinged lid	True
For heavy conditions (in accordance with VDE)	True
Degree of protection (IP)	IP68
Angle of plug	Straight
Connection system	Screwed terminal
Colour	Blue
Number of poles	3
Nominal current	16 A
Nominal voltage	250 V

wire flexible	1-2x2,5 mm <sup>2</sup>
wire solid	1-2x2,5 mm <sup>2</sup>
contact screws	80 Ncm
stripping length	7 mm



<https://www.pcelectric.at/shop/en/?func=detail&artnr=20351-8b>



[www.manufacturer-safety.info](http://www.manufacturer-safety.info)