



RB2 Series Circuit-Breaker for Equipment 设备断路器



■ RB2



Description: 描述

These switches are mainly used to protect the electric system from being damaged when overheating. and also can be applied in device protection in the event of short-circuit. e.g. Protection of motor, transformer, rectifier and battery charges etc. and also with its short operating time characteristic, it could be used to protect commutation motors as well.

开关主要用在过热条件下保护电气系统不受损坏，也可用于设备短路保护。例如：电机、变压器、整流器充电器等，非常短的时间内也动作，能被用于保护交换机。

Specifications: 参数

Standard 标准	EN60934	UL1077	
Rated Voltage 额定电压	250V~	125/250V~	250V~
Current Range 电流范围	0.1-18A	0.5-20A	1HP
Rated switching capacity 额定开关容量	6 In		
Rated short-circuit current 额定短路电流	500A(PCI)		
Rated insulation voltage 额定绝缘电压	250V~		
Adjustment 调节	Factory settings(under appointed rated current) 制造厂设定(在指定的额定电流)		
Poles 极	Single Pole 单极		
Method of operation 动作方式	Thermostatic bimetal 双金属片调节温度		
Resetting 设定	Setting By push-button 通过按钮设定		
Mode of Tripping 脱扣方式	Overheat Tripping 热脱扣		
Method of operation 操作方法	Turn off automatically, only be set by hand 自动断开,仅能手动设定		



RB2 Series Circuit-Breaker for Equipment 设备断路器



Order information: 订货须知

Please send us the detailed specification before you place us your order:

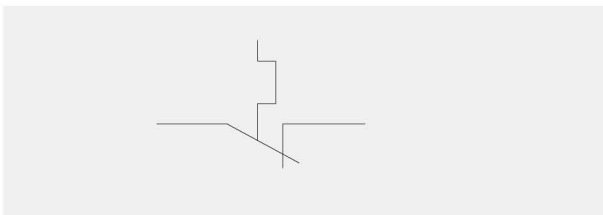
1. Motor Power: _____ W
2. Rated Current: _____ A
3. Rated Voltage: _____ V
4. General Tripping Current: _____ A
5. General Tripping Time: _____ s
6. Lock Motor Current: _____ A
7. Lock Motor Time: _____ s
8. Tripping Characteristic.

客户订货前请提供以下参数：

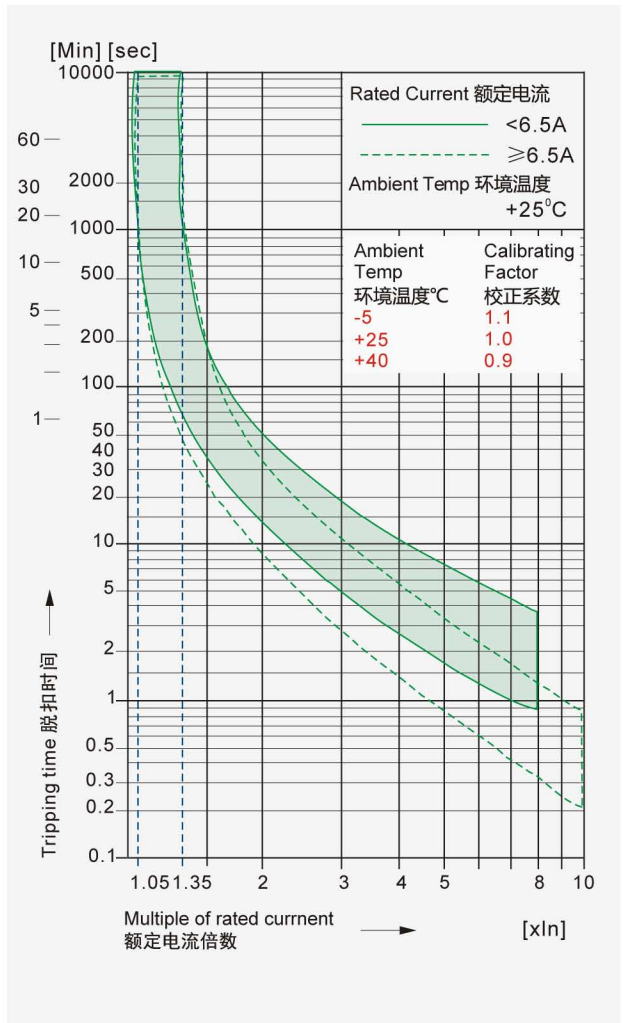
1. 电机功率：_____ W
2. 额定电流：_____ A
3. 额定电压：_____ V
4. 正常脱扣电流：_____ A
5. 正常脱扣时间：_____ s
6. 堵转电流：_____ A
7. 堵转时间：_____ s
8. 脱扣特性曲线。

Function : 功能

■ RB2

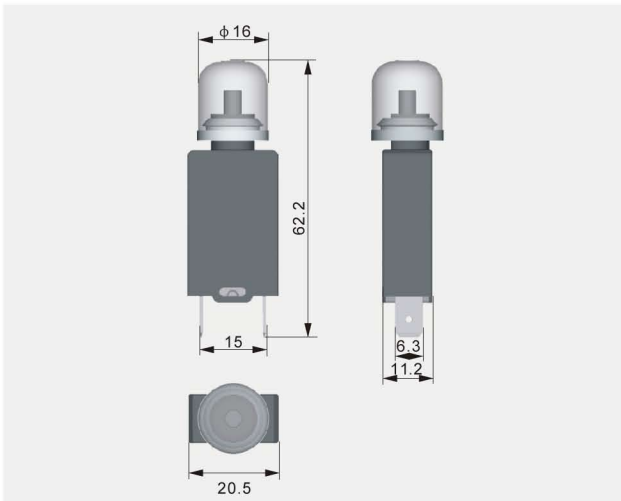


Tripping Characteristic: 脱扣特性曲线



Reference Dimension: 参考尺寸

■ RB2



Mounting size: 安装孔尺寸

■ RB2

