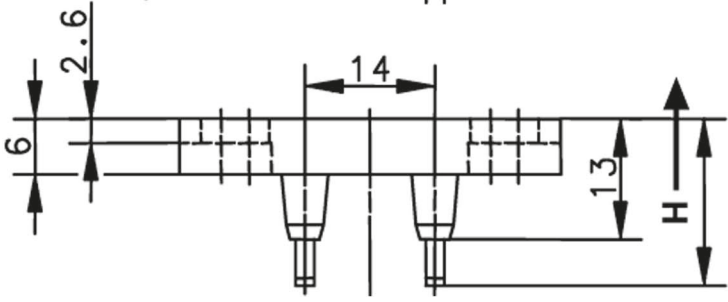
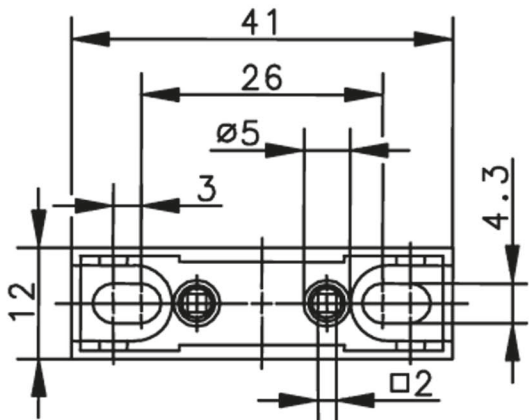
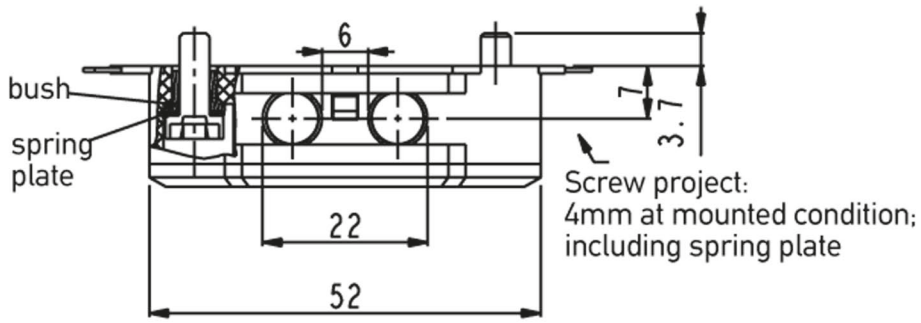
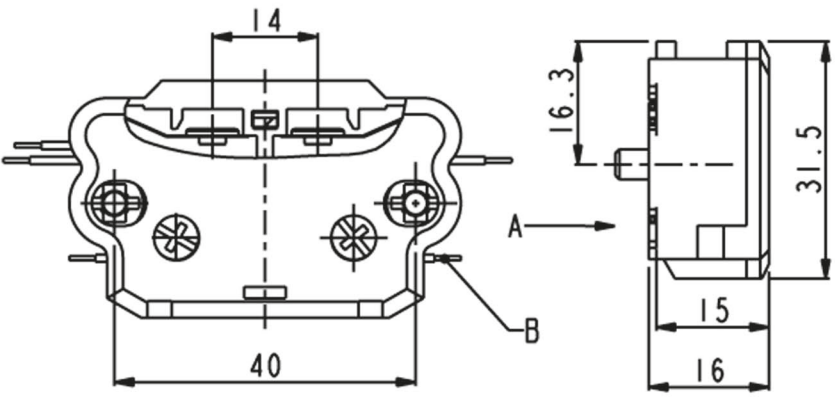


B
 cable connection sideways
 C1/C2
 cable entry at EDC-51 mode1
 at sideways cable connection



H = 18mm

