

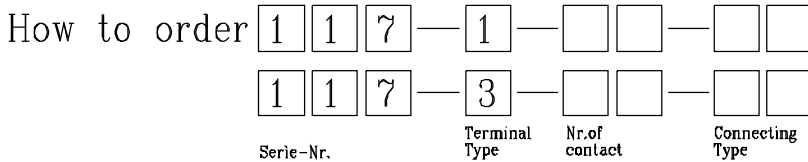
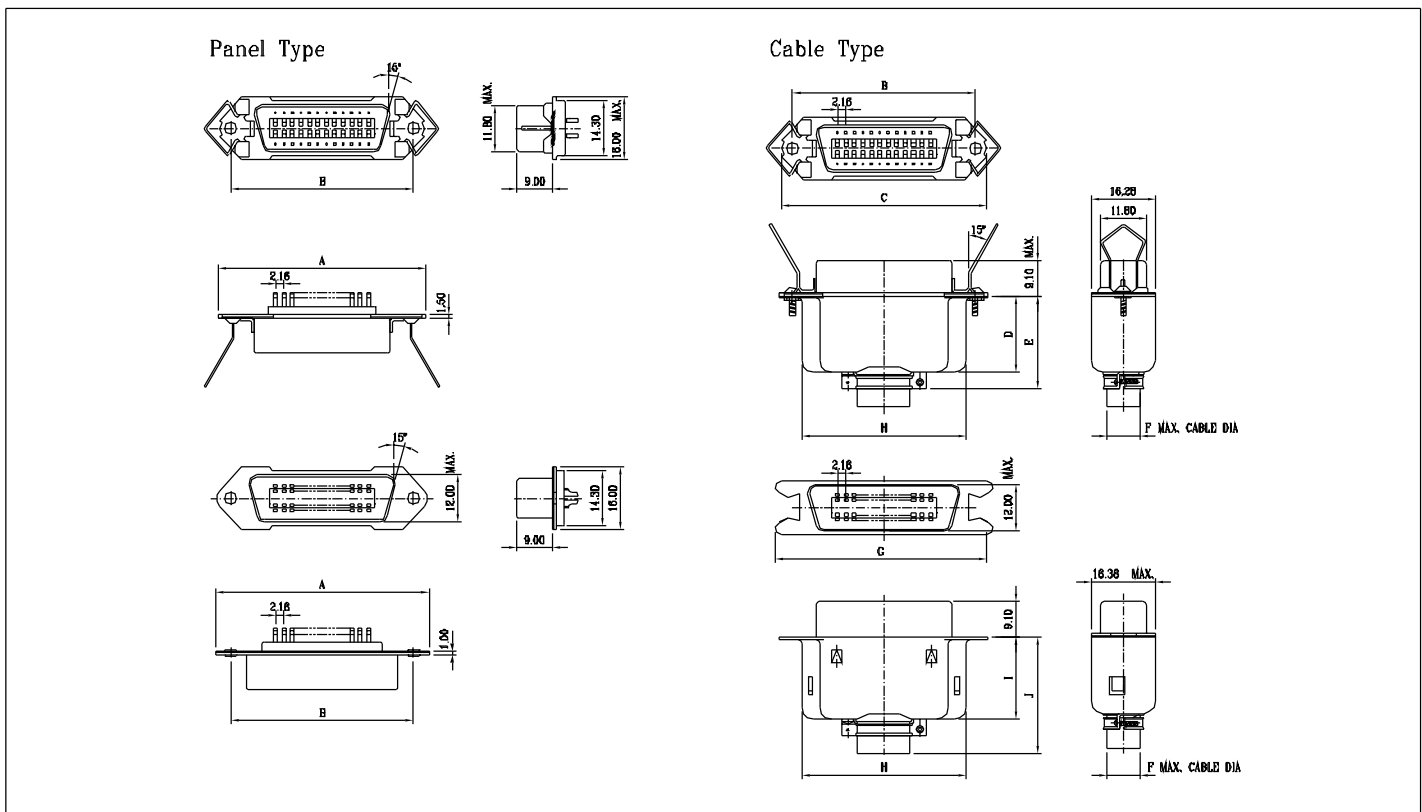
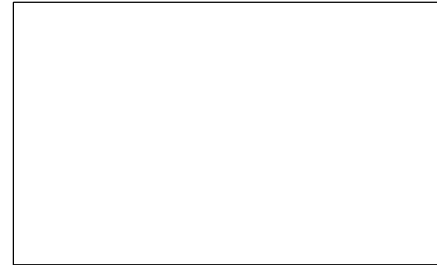
117-1 & 117-3

Centronic Solder Version connector

Technical data :

Material shell Steel tin-coat over nikel
 Insulator Thermoplastic polyester
 Color Insulator Black
 Burning properties Self extinguishing rated UL94V0
 Contact Copper alloy
 Contact surface Gold over nickel
 Operating temperature -55°C to +125°C

Electrical data :
 Current rating 5 A
 Electrical rating 500V eff.
 Insulation resistance 1000Mohm min. 500V DC



Terminal Type	Code
female	1
MALE	3

Nr. of contact	Dimensions(mm)										Code
	A	B	C	D	E	F	G	H	I	J	
	±0.38	±0.25	±0.38	±0.38	±0.38	±0.38	±0.38	±0.38	±0.38	±0.38	
14	43.90	36.00	44.14	21.40	32.30	8.84	44.95	29.29	21.59	31.88	14
24	54.70	46.80	53.52	21.00	31.90	12.01	55.75	40.08	21.08	31.37	24
36	67.80	59.70	67.74	23.00	33.30	12.70	68.71	68.15	23.11	33.40	36
60	82.80	74.90	82.86	25.40	36.90	12.70	83.82	68.15	25.40	35.69	60

Connecting type	Code
Panel type	00
Cable entry	10