

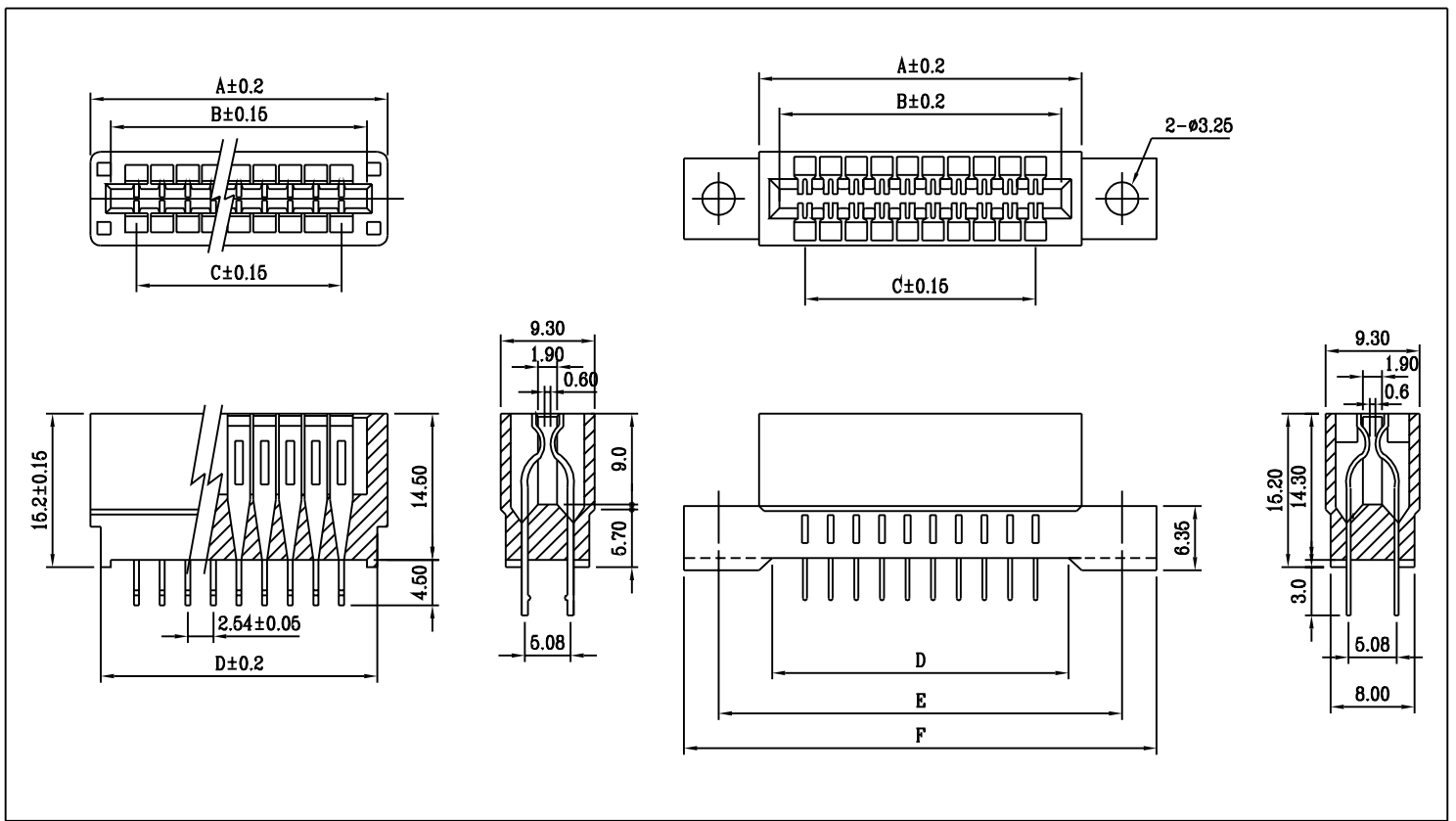
PCB-Edge-Card Connector pitch 2.54mm

Technical data :

Insulator Thermoplastic polyester
 Color Insulator Black
 Burning properties Self extinguishing to UL94V0
 Contact Phosphor bronze
 Contact surface Mating area gold over nickel
 Solder area tin over nickel
 Operating temperature -65°C to +105°C

Electrical data :

Current rating 1 A
 Electrical rating min. 500V
 Insulation resistance min. 1000 MOhm



How to order — — —

Serie-Nr. Nr.of contact Mounting EAR Option Plating Option

Nr. of contact	Dimensions(mm)						Code
	A	B	C	D	E	F	
12	21.84	17.78	12.70	19.24	29.84	36.70	012
20	32.00	27.94	22.86	29.40	40.00	46.86	020
24	37.08	33.02	27.94	34.48	45.08	51.94	024
30	44.70	40.64	35.56	42.10	52.70	59.56	030
36	52.32	48.26	43.18	49.72	60.32	67.18	036
44	62.48	58.42	53.34	59.88	70.48	77.34	044
46	65.02	60.96	55.88	62.42			046
50	70.10	66.04	60.96	67.50	78.11	84.96	050
56	77.72	73.66	68.58	75.12	85.73	92.58	056
60	82.80	78.74	73.66	80.20	90.81	97.66	060
62	85.34	81.28	76.20	82.74	93.35	100.20	062
64	87.88	83.82	78.74	85.28	95.89	102.74	064
72	98.04	93.98	88.90	95.44	106.05	112.90	072
80	108.20	104.14	99.06	105.60	116.21	123.06	080
86	115.82	111.76	106.68	113.22	123.83	130.68	086
98	138.68	134.62	129.54	136.08			098
100	133.60	129.54	124.46	131.00	141.61	148.46	100
120	159.00	154.94	149.86	156.40	167.01	173.86	120

Mounting EAR option	Code
W/O mounting EAR	10
W/mounting EAR	20

Plating Option	Code
Contact area gold	60
Solder area Tin	