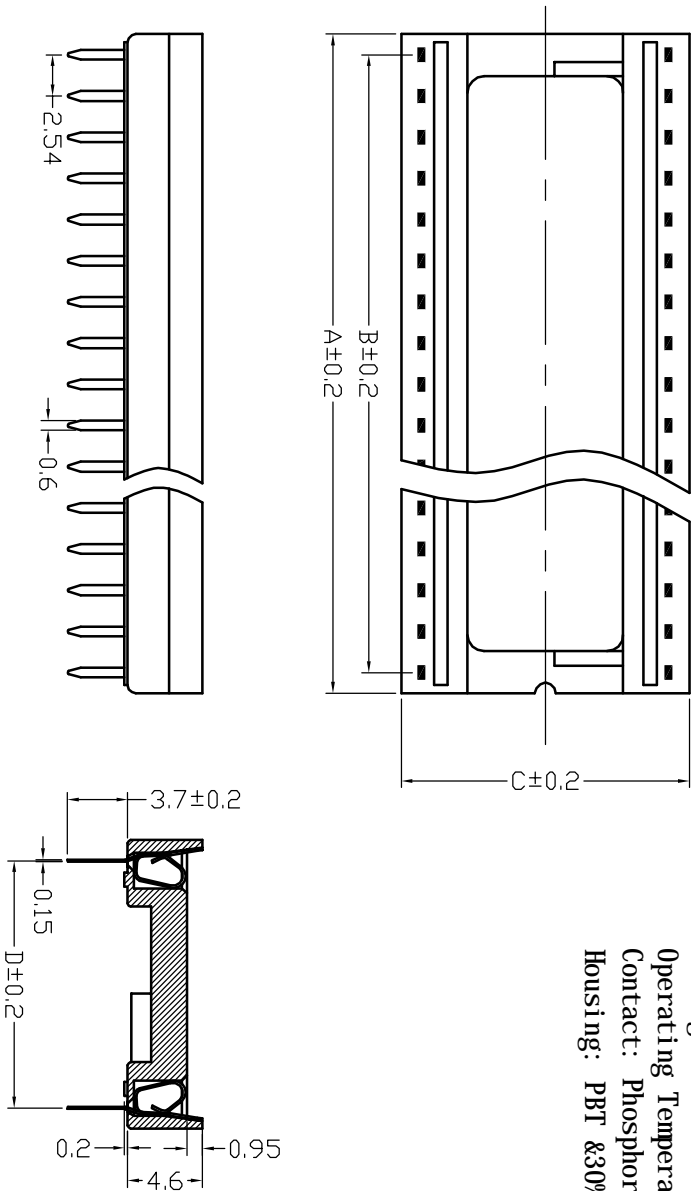


Specifications:
 Contact Resistance: 30mΩ max. at DC 100 mA;
 Insulator Resistance: 1000MΩ min. at DC 500V;
 Current Rating: 1AMP.

Dielectric Withstanding
 Voltage: AC 500V For 1 minute;
 Operating Temperature: -55℃--+105℃;
 Contact: Phosphor bronze;
 Housing: PBT &30% Glass Fiber (UL 94V-0).



Position	Dimension			
	A	B	C	D
6	7.52	5.08	10.16	7.62
8	10.16	7.62	10.16	7.62
14	17.82	15.24	10.16	7.62
16	20.32	17.78	10.16	7.62
18	22.86	20.32	10.16	7.62
20	25.40	22.86	10.16	7.62
24	30.48	27.94	10.16	7.62
24	30.48	27.94	17.78	15.24
28	35.56	33.02	10.16	7.62
28	35.56	33.02	17.78	15.24
32	40.64	38.10	17.78	15.24
40	50.80	48.26	17.78	15.24
42	53.21	50.80	17.78	15.24

序号/Rev.No. 更改记录/Revision note 签名/Signature 日期/Date

设计/Designed by 绘图/Drawng by 审核/Checked by 批准/Approved by 未注公差/General Tolerance

图名/Title 文件编号/File No. X ±0.2 X ±0.1 X ±0.05 XXX ±0.01 X ±0.2 X ±0.1 X ±0.05 XXX ±0.01

125

页序/Sheet 单位/Units: mm

XINVA ELECTRONIC CO., LTD

新亚电子