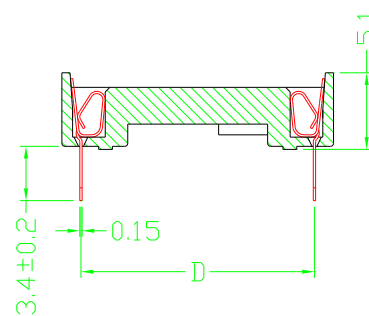
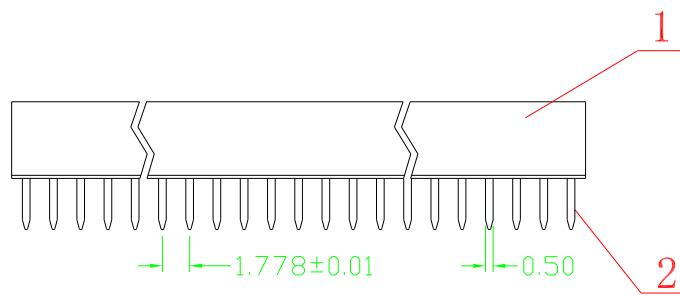
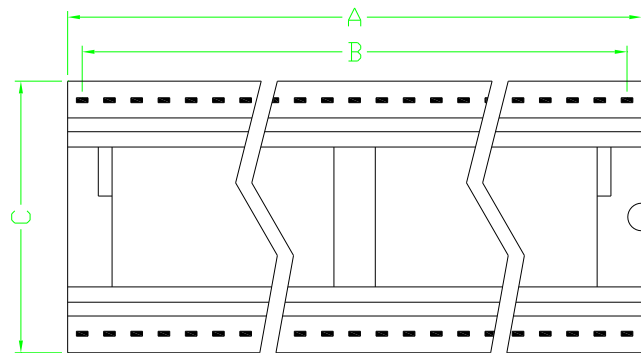


序号/RevNo.	名称/Title	文件编号/File No.
1	127塑料件	QJ/XYT-11145
2	127端子	QJ/XYT-11146



Specifications:

Contact Resistance: 30mΩ max.at DC 100 mA
 Insulator resistance: 1000MΩ min.at DC 500V
 Current Rating: 1AMP

Dielectric Withstanding

Voltage: AC 500V For 1 minute

Operating Temperature: -55°C--+105°C

Contact: Brass or phosphor bronze

Housing: PBT &30% Glass Fiber(UL 94V-0)

Position	A	B	C	D
28	25.01	23.11	12.65	10.16
42	37.46	35.56	17.73	15.24
48	42.79	40.89	17.73	15.24
52	46.35	44.45	17.73	15.24
56	49.91	48.01	17.73	15.24
64	57.04	55.12	21.54	19.05

要求:

1. 塑料件无裂痕, 色斑。
2. 整排端子成一直线, 相邻端子之间相互平行。

设计/Designed by	绘图/Drawing by	审核/Checked by	批准/Approved by	未注公差 General Tolerance	
		图名/Title	文件编号/File No.	x. ±0.2	x.' ±2°
		127产品图	QJ/XYT-12058	.x ±0.1	.x' ±1°
		页序/Sheet		.xx ±0.05	.xx' ±0.5°
备注/Remark				.xxx ±0.01	
				单位/Units: mm	