

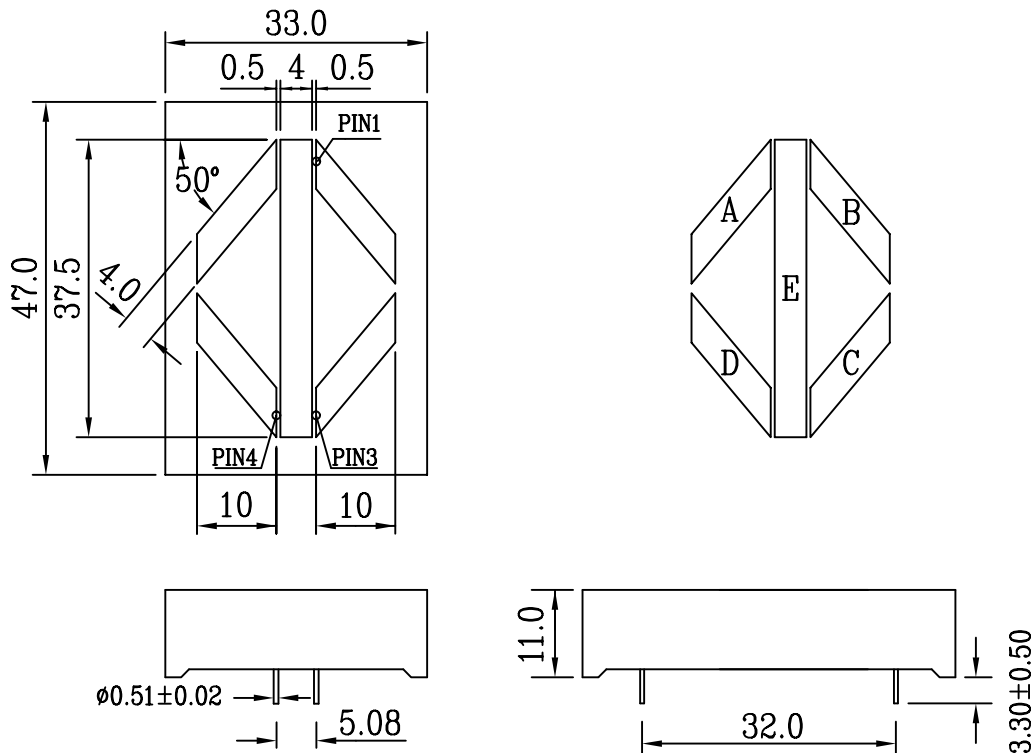


TAIWAN OASIS LED DATA SHEET

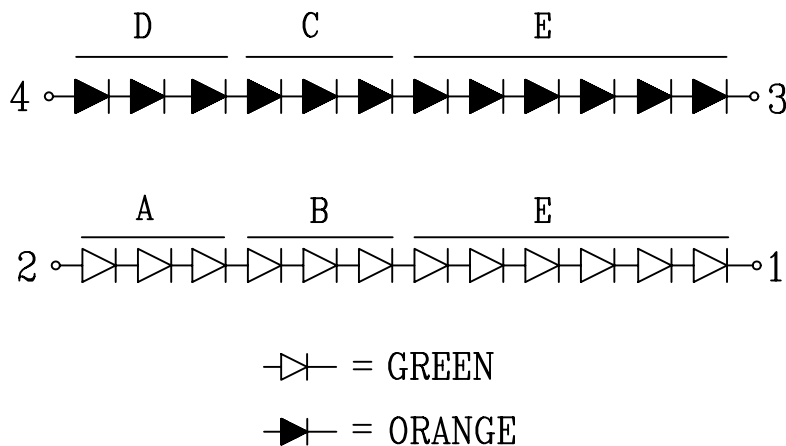
PART NO. : TOA-1510ZEG-B

APPEARANCE			SOURCE COLOR	DRIVER MODE
FACE	SEGMENT	PIN	Orange Green	Universal
Black	White	ø0.51x10.28		

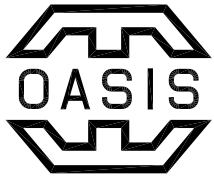
PACKAGE DIMENSIONS



INTERNAL CIRCUIT DIAGRAM



DATE	11/13/99'	SCALE	1.2:1	TOLERANCE	.XX ± 0.25 ANGLE ± 1°	DRAWN	L.F.	CHECKED	
UNIT	M/M	SHEET NO.	1/2	DRAWING NO.	S-1510ZEG-A	CUSTOMER		APPROVED	



TAIWAN OASIS LED DATA SHEET

PART NO: TOA-1510ZEG-B

Color of Emission	MultiColor	
Color Code	E	G
Technologic	GaAsP/GaP	GaP
Segment To Segmet Luminous Intensity Ratio	<1.5:1	
Peak Emission Wavelength at I _F 20mA	630nm	568nm
Spectral Line Half Width at I _F 20mA	35nm	30nm
Forward Voltage V _F @20mA	21.6~28.8 V	22.8~30.0 V
Forward Current 25°C(max.)	20mA	20mA
Recommend Operating Current	12mA	12mA
Forward Current 70°C(max.)	8mA	8mA
Peak Forward Current (max.)	80mA/0.1mS	80mA/0.1mS
Reverse Voltage/Segment	>60V	
Power dissipation (max.)	690mW	720mW
Reverse Current I _R (V _R =60V)	<20μA	
Operating Temp Range	-25°C ~ +85°C	
Storage Temp Range	-30°C ~ +85°C	
Junction Temp T _j	>85°C	
Solder Temp	260°C/3sec	

DATE	11/13/99'	SCALE	1.2:1	TOLERANCE	.XX±0.25 ANGLE ±1°	DRAWN	L.F.	CHECKED	
UNIT	M/M	SHEET NO.	2/2	DRAWING NO.	S-1510ZEG-A	CUSTOMER		APPROVED	