

Multi turn Wire Wound Potentiometers, (ø22mm)

Model: 2010, 10-Turn

Model: 3010, 10-Turn

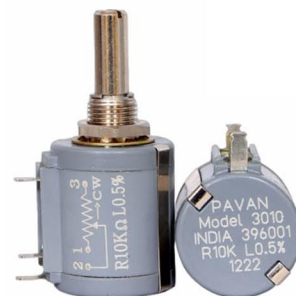
Features:

- Wire Wound
- Dual Gang with Concentric Shaft (Model: 3010)
- Different Shaft Diameters and Lengths Available
- Rear Shaft Extension (Model: 2010)
- Bush Mount Available & Servo Mount on request
- Slipping Clutch Available
- Center Tap (4 Pins - Model: 3010)
- Shaft Length Options: 10mm and 15mm

Model: 2010, 10-Turn



Model: 3010, 10-Turn



Technical Details:

Parameters:	Model: 2010	Model: 3010
Power Rating	2Watt @ 40°C	3Watt @ 40°C
Resistance Range	As per below chart	
Rotational Life (No Load)	1000000 shaft revolutions with total resistance shift of +/- 3% maximum	
Standard Tolerance	Std. ±5%, other on request	Std. ±5%, other on request
Linearity	Std. ±0.5%, ±0.25% other on request	Std. ±0.5%, ±0.25% other on request
Rotational Angle	3600° +10° / -0°	3600° +10° / -0°
Insulation Resistance	500MΩ @ 500VDC	500MΩ @ 500VDC
Max. Working Voltage	250VDC	250VDC
Voltage Proof	750VAC for 1 min. @ sea level	1500VAC for 1 min. @ sea level
End Resistance	2Ω or %Lin whichever is greater	2Ω or %Lin whichever is greater

Resistance Value:

Model No.:	Resistance Value
2010	100, 200, 250, 500, 1K, 2K, 5K, 10K, 20K, 50K, 100K
3010	100, 200, 250, 500, 1K, 2K, 5K, 10K, 20K, 50K, 100K

Multi turn Wire Wound Potentiometers, (ø22mm)

Model: 2010, 10-Turn

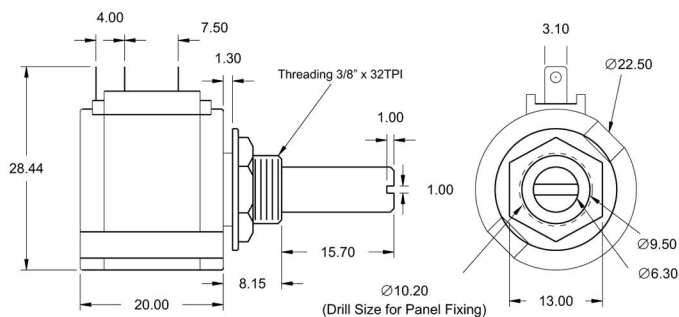
Model: 3010, 10-Turn

Resolution Chart:

Resistance Value	Model: 2010		Model: 3010	
	Resolution (%)	Ohm per Turn	Resolution (%)	Ohm per Turn
50	N.A	N.A	N.A	N.A
100	0.052	0.0524	0.064	0.0641
200	0.041	0.0815	0.055	0.1102
250	0.039	0.0970	0.044	0.1102
500	0.029	0.1455	0.037	0.1848
1K	0.021	0.2119	0.029	0.2926
2K	0.029	0.5821	0.032	0.6406
5K	0.016	0.8239	0.023	1.1396
10K	0.012	1.1834	0.016	1.6416
20K	0.010	1.9260	0.013	2.618
50K	N.A	N.A	0.011	5.698

Dimensional Drawings:

Model: 2010, 10-Turn



Model: 3010, 10-Turn

