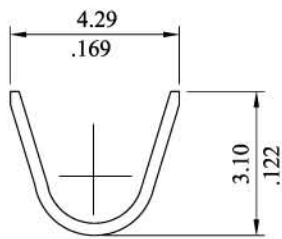
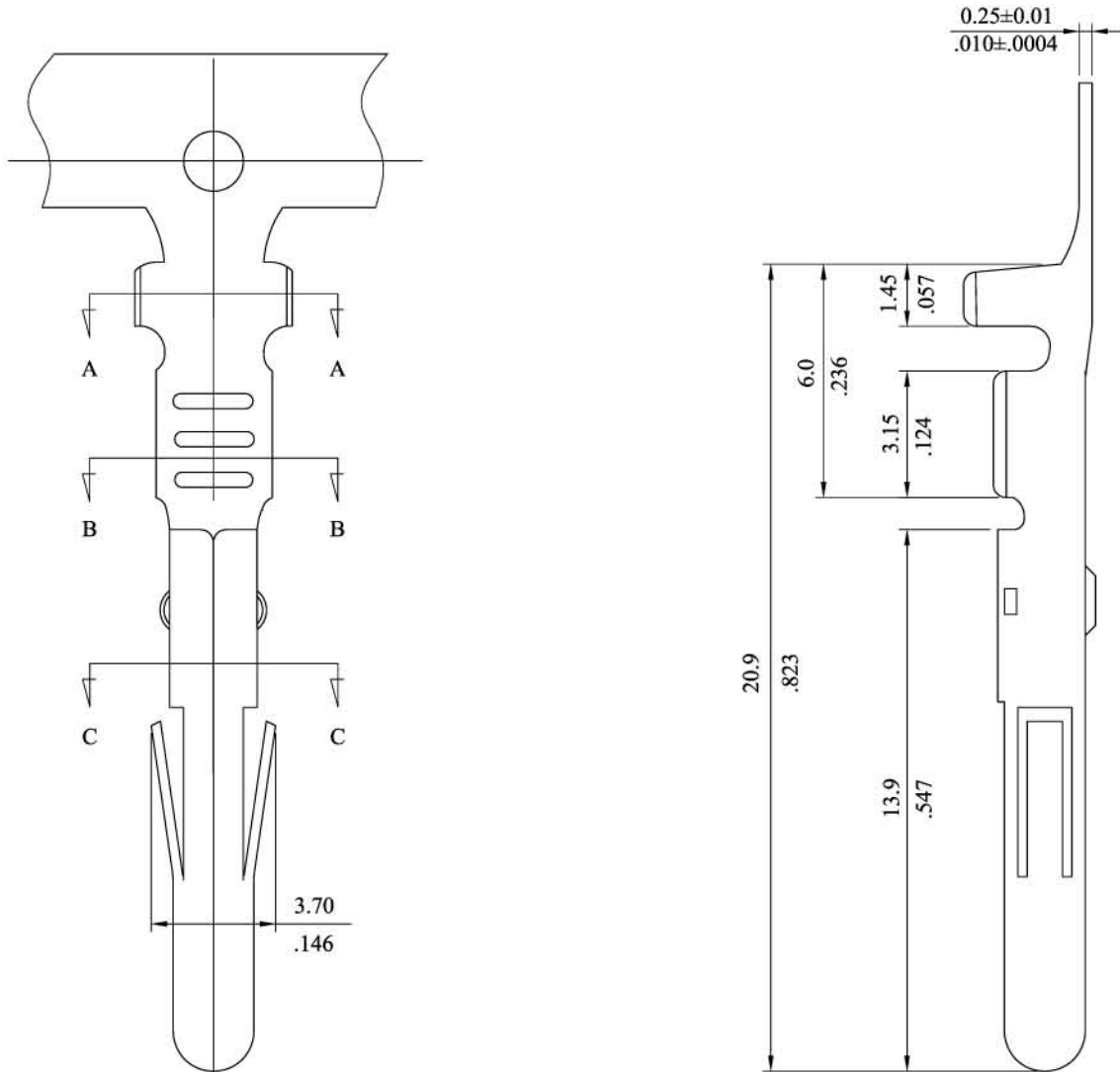
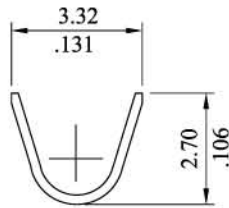


RoHS COMPLIANT

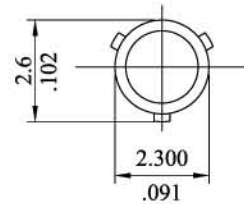
Material:
 Contact: Brass
 Plating: Tin plated 120 μ " min over 30 μ " min. nickel overall



SECTION A-A



SECTION B-B



SECTION C-C

				APPROVED:							
				DATE:							
				CHECKED:			TITLE:				
				DATE:			TERMINAL				
				DRAWN:							
				DATE:							
C	ES101218			GENERAL TOLERANCES: (UNLESS SPECIFIED)			UNITS	SCALE	SIZE	SHEET	REV.
B	ES050776										
A	DWG REL			1 PLACE	± 0.30	± --	mm inch	5:1	A4	1/1	C
REV.	ECO. NO.	CHG.	APP.	2 PLACES	± 0.20	± .012					
				3 PLACES	± 0.10	± .008					
				4 PLACES	± --	± .004					
				ANGULAR ± (1°)							