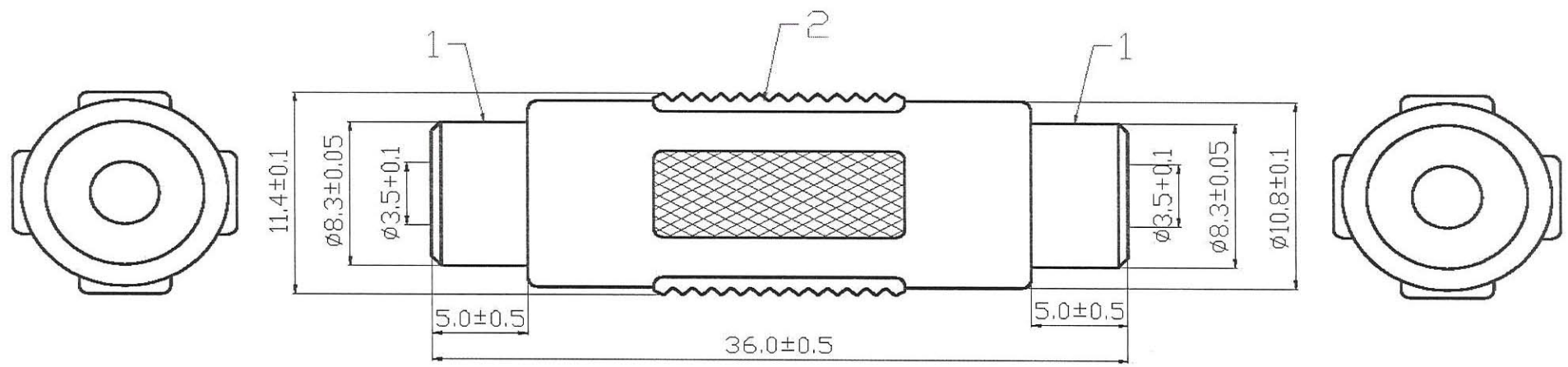


0.5-5 = +/- 0.2  
 5-30 = +/- 0.4  
 30-120 = +/- 0.6  
 120-315 = +/- 1  
 315-1000 = +/- 1.6  
 1000-2000 = +/- 2.4



PIN OUT:  
 1 ——— 1  
 2 ——— 2  
 (G)3 ——— 3(G)

**RoHS COMPLIANT**

**APPROVED BY:** *UNITED AU-VI CO., LTD.*



**Description:** 3.5 STEREO JACK TO JACK, PLASTIC HANDLE

**Part No.:** AJ-1330/RB



NO	DESCRIPTION	Q'TY	MATERIAL	FINISH
2	PLASTIC HANDLE	1	PVC	
1	BODY	1	BRASS	

Date: NOV 19 2019

File No.: JR-1217