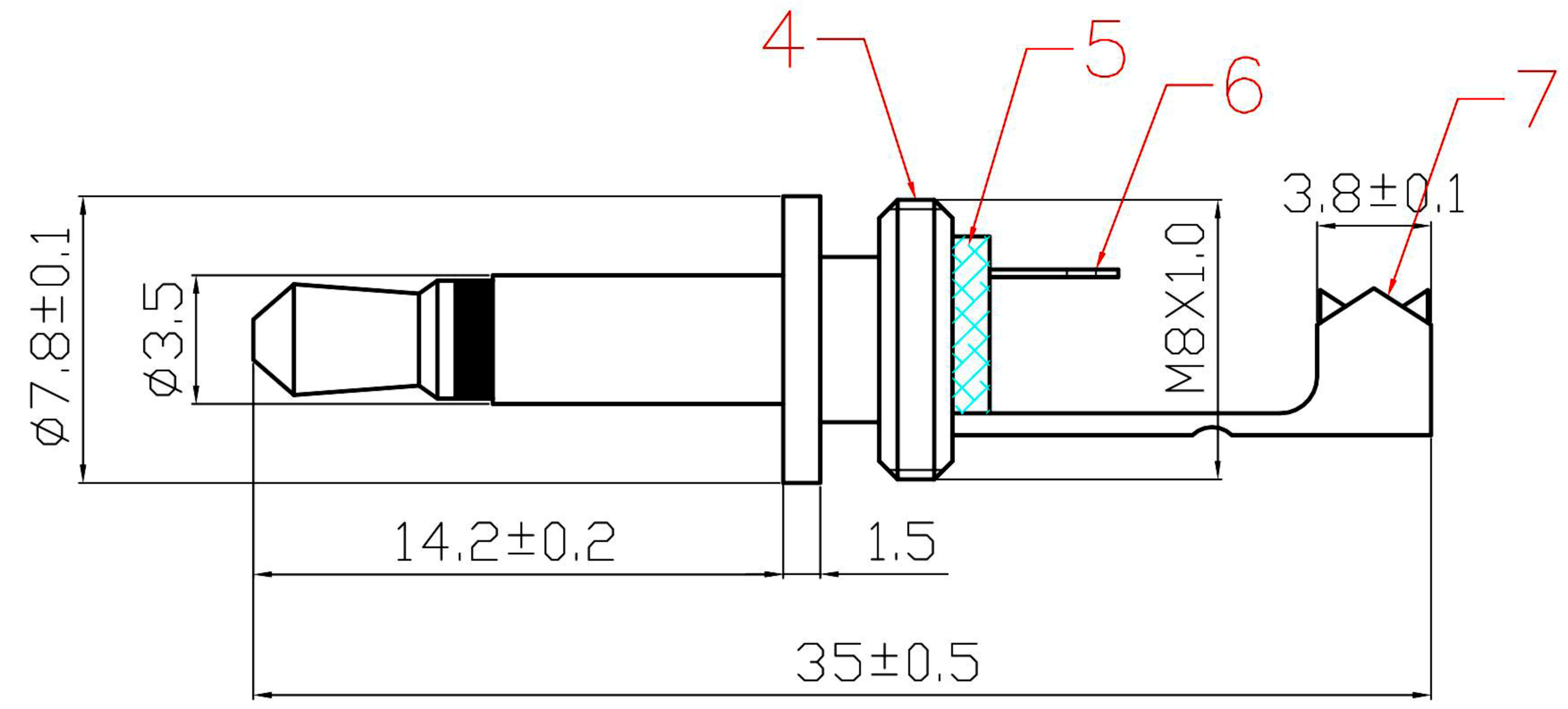


NEW



7	CRIMPING PATCH	Fe
6	SOLDERING PATCH	BRASS
5	DIELECTRIC	POM
4	BODY	BRASS
3	PLASTIC HANDLE	PVC
2	DIELECTRIC	POM
1	FRONT POINT	BRASS
ITEM	DESIGNATION	MATERIAL

TOLERANCE	SIGNATURES	DATE
0 - 10      ±0.05	DRAFT: ZHOU XIN GUO	11.06.10
10 - 99     ±0.5		
100 - 999   ±10.0		
1000 - 9999 ±100.00		
10000 - 99999 ±1000.00		

UNITED AU-VI CO., LTD

REV	PART NO. & SAMPLE NO.	DATE	BY
A			
B			

	APPROVAL:			
SHEET	SCALE	UNIT	REV	
OF	1:1	mm	∅	

TITLE	3.5mm Mono Plug Plastic Handle
CUSTOMER	AP-0732/RB