

COMPACT LIMIT SWITCHES: AZ-8 SERIES

Features

- Designed for applications of small mounting space
- Constructed with Metal based and plastic cover
- Wide range of actuators available
- Pre-molded flexible cable gland for fast and simple wiring termination
- Positive Opening of NC contacts
- Improved current carrying capacity to 10A

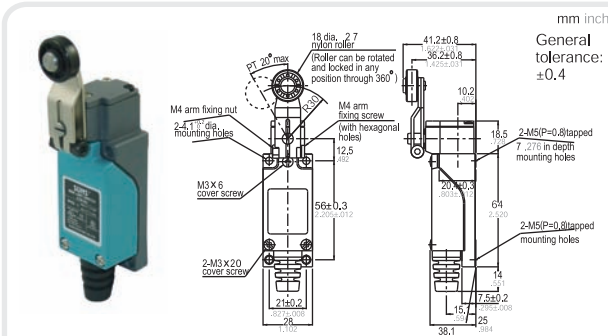
Definitions of Operating Characteristics

OF	Operating Force	PT	Pretravel
RF	Releasing Force	MD	Movement Differential
OT	Overtravel	OP	Operating Position
TT	Total Travel	PO	Travel to Positive Opening

Specifications

Operating Speed	0.05mm-2m/sec
Operating Frequency	Mechanical: 120ops/min Electrical: 30 ops/min
Insulation Resistance	>100MΩ@500V DC
Contact Resistance	<25mΩ (initial value)
Rated Voltage/Current	10A/250VAC (EN60947-5-1)
Dielectric Strength	1000VAC for 1 min between current carrying parts 2000VAC for 1 min between non-current carrying parts
Service Life	Mechanically 1.0 x10 ⁷ (operations) Electrically 5 x10 ⁵ (operations)
Operating Temperature	-20 to +60°C (-4 to 140°F)
Humidity	< 95%RH
Degree of Protection	IP65

Dimensions Unit: mm



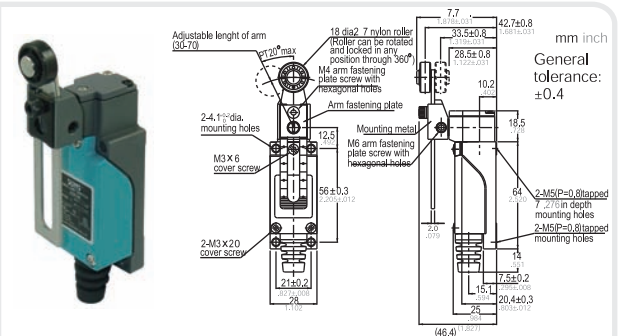
AZ-8104

Snap Action



Operating Characteristics

OF _{max}	5.88N (600g)
RF _{min}	0.49N (50g)
PT _{max}	20°
OT _{min}	75°
MD _{max}	10°
TT	95°



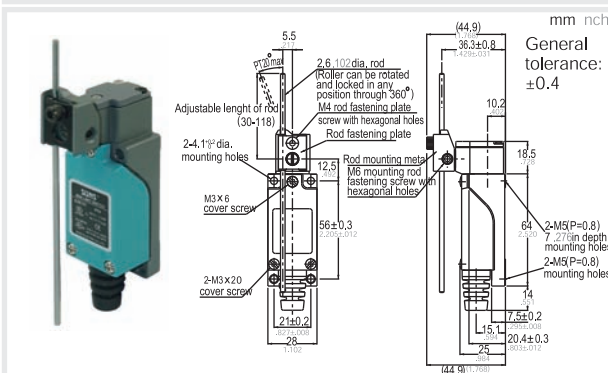
AZ-8108

Snap Action



Operating Characteristics

OF _{max}	3.35~7.84N (342~800g)
RF _{min}	0.21~0.49N (21~50g)
PT _{max}	20°
OT _{min}	75°
MD _{max}	10°
TT	95°



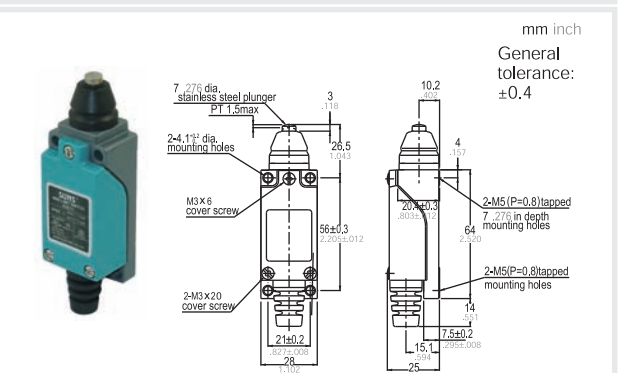
AZ-8107

Snap Action



Operating Characteristics

OF _{max}	1.99~7.84N(203-800gf)
RF _{min}	0.12~0.49N
PT _{max}	20°
OT _{min}	75°
MD _{max}	10°
TT	95°



AZ-8111

Snap Action



Operating Characteristics

OF _{max}	8.82N (900gf)
RF _{min}	1.47N
PT _{max}	1.5mm
OT _{min}	4mm
MD _{max}	0.7mm
TT	5.5mm

COMPACT LIMIT SWITCHES: AZ-8 SERIES

AZ-8112

Operating Characteristics

OF _{max}	1.99~7.84N(203-800gf)
RF _{min}	0.12~0.49N
PT _{max}	20°
OT _{min}	75°
MD _{max}	10°
TT	95°

General tolerance: ±0.4

AZ-8122

Operating Characteristics

OF _{max}	8.82N (900gf)
RF _{min}	1.47N
PT _{max}	1.5mm
OT _{min}	4mm
MD _{max}	0.7mm
TT	5.5mm

General tolerance: ±0.4

AZ-8166

Operating Characteristics

OF _{max}	0.88N (90gf)
PT _{max}	30mm
OT _{max}	20mm

General tolerance: ±0.4

AZ-8169

Operating Characteristics

OF _{max}	0.88N (90gf)
PT _{max}	30mm
OT _{max}	20mm

General tolerance: ±0.4

AZ-8200

Operating Characteristics

OF _{max}	0.88N (90gf)
PT _{max}	30mm
OT _{max}	20mm

General tolerance: ±0.4